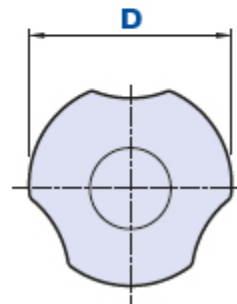
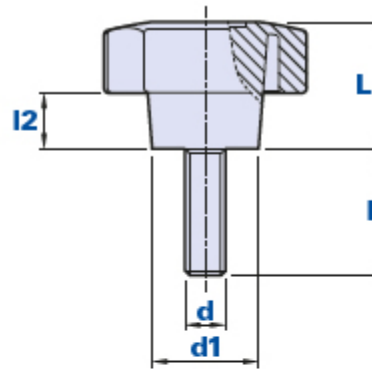


Dreisterngriff mit Gewindestift



Code	Beschreibung	Abmessungen				Einsatz		Gewicht Gr.	Stock
		D	L	d1	l2	d	l		
01THP20A10	THP 20 M4x10	20	13	13	5	M4	10	4	√
01THP20A15	THP 20 M4x15	20	13	13	5	M4	15	4	√
01THP20A20	THP 20 M4x20	20	13	13	5	M4	20	5	√
01THP20A25	THP 20 M4x25	20	13	13	5	M4	25	5	√
01THP20B10	THP 20 M5x10	20	13	13	5	M5	10	5	√
01THP20B15	THP 20 M5x15	20	13	13	5	M5	15	6	√
01THP20B20	THP 20 M5x20	20	13	13	5	M5	20	7	√
01THP20B25	THP 20 M5x25	20	13	13	5	M5	25	8	√
01THP20B30	THP 20 M5x30	20	13	13	5	M5	30	8	√
01THP20C10	THP 20 M6x10	20	13	13	5	M6	10	7	√
01THP20C15	THP 20 M6x15	20	13	13	5	M6	15	8	√
01THP20C20	THP 20 M6x20	20	13	13	5	M6	20	9	√
01THP20C25	THP 20 M6x25	20	13	13	5	M6	25	10	√
01THP20C30	THP 20 M6x30	20	13	13	5	M6	30	10	√
01THP20C40	THP 20 M6x40	20	13	13	5	M6	40	11	√
01THP25A10	THP 25 M4x10	25	16	14	6	M4	10	3	√
01THP25A15	THP 25 M4x15	25	16	14	6	M4	15	8	√
01THP25A20	THP 25 M4x20	25	16	14	6	M4	20	8	√
01THP25A25	THP 25 M4x25	25	16	14	6	M4	25	8	√
01THP25B10	THP 25 M5x10	25	16	14	6	M5	10	8	√
01THP25B15	THP 25 M5x15	25	16	14	6	M5	15	9	√

01THP25B20	THP 25 M5x20	25	16	14	6	M5	20	10	√
01THP25B25	THP 25 M5x25	25	16	14	6	M5	25	10	√
01THP25B30	THP 25 M5x30	25	16	14	6	M5	30	10	-
01THP25C10	THP 25 M6x10	25	16	14	6	M6	10	11	√
01THP25C15	THP 25 M6x15	25	16	14	6	M6	15	11	√
01THP25C20	THP 25 M6x20	25	16	14	6	M6	20	12	√
01THP25C25	THP 25 M6x25	25	16	14	6	M6	25	13	√
01THP25C30	THP 25 M6x30	25	16	14	6	M6	30	14	√
01THP25C40	THP 25 M6x40	25	16	14	6	M6	40	14	√
01THP25D10	THP 25 M8x10	25	16	14	6	M8	10	11	-
01THP25D15	THP 25 M8x15	25	16	14	6	M8	15	16	√
01THP25D20	THP 25 M8x20	25	16	14	6	M8	20	19	√
01THP25D25	THP 25 M8x25	25	16	14	6	M8	25	22	√
01THP25D50	THP 25 M8x50	25	16	14	6	M8	50	25	-
01THP30B10	THP 30 M5x10	30	19	17	7	M5	10	12	√
01THP30B15	THP 30 M5x15	30	19	17	7	M5	15	15	√
01THP30B20	THP 30 M5x20	30	19	17	7	M5	20	15	√
01THP30B25	THP 30 M5x25	30	19	17	7	M5	25	15	-
01THP30B30	THP 30 M5x30	30	19	17	7	M5	30	16	√
01THP30B40	THP 30 M5x40	30	19	17	7	M5	40	16	√
01THP30C10	THP 30 M6x10	30	19	17	7	M6	10	14	√
01THP30C15	THP 30 M6x15	30	19	17	7	M6	15	15	√
01THP30C20	THP 30 M6x20	30	19	17	7	M6	20	16	√
01THP30C25	THP 30 M6x25	30	19	17	7	M6	25	18	√
01THP30C30	THP 30 M6x30	30	19	17	7	M6	30	19	√
01THP30C40	THP 30 M6x40	30	19	17	7	M6	40	19	√
01THP30C50	THP 30 M6x50	30	19	17	7	M6	50	19	√
01THP30D10	THP 30 M8x10	30	19	17	7	M8	10	19	√
01THP30D15	THP 30 M8x15	30	19	17	7	M8	15	22	√
01THP30D20	THP 30 M8x20	30	19	17	7	M8	20	23	√
01THP30D25	THP 30 M8x25	30	19	17	7	M8	25	25	√
01THP30D30	THP 30 M8x30	30	19	17	7	M8	30	26	√
01THP30D35	THP 30 M8x35	30	19	17	7	M8	35	27	√
01THP30D40	THP 30 M8x40	30	19	17	7	M8	40	33	√
01THP30D50	THP 30 M8x50	30	19	17	7	M8	50	34	√
01THP30D60	THP 30 M8x60	30	19	17	7	M8	60	35	√
01THP30D70	THP 30 M8x70	30	19	17	7	M8	70	36	√
01THP40C10	THP 40 M6x10	40	25	21	11	M6	10	26	√
01THP40C15	THP 40 M6x15	40	25	21	11	M6	15	26	√
01THP40C20	THP 40 M6x20	40	25	21	11	M6	20	24	√
01THP40C25	THP 40 M6x25	40	25	21	11	M6	25	27	√
01THP40C30	THP 40 M6x30	40	25	21	11	M6	30	28	√
01THP40C35	THP 40 M6x35	40	25	21	11	M6	35	30	√
01THP40C40	THP 40 M6x40	40	25	21	11	M6	40	31	√
01THP40C50	THP 40 M6x50	40	25	21	11	M6	50	35	√
01THP40C75	THP 40 M6x75	40	25	21	11	M6	75	36	√
01THP40D10	THP 40 M8x10	40	25	21	11	M8	10	29	-

01THP40D15	THP 40 M8x15	40	25	21	11	M8	15	29	√
01THP40D20	THP 40 M8x20	40	25	21	11	M8	20	30	√
01THP40D25	THP 40 M8x25	40	25	21	11	M8	25	34	√
01THP40D30	THP 40 M8x30	40	25	21	11	M8	30	37	√
01THP40D35	THP 40 M8x35	40	25	21	11	M8	35	39	√
01THP40D40	THP 40 M8x40	40	25	21	11	M8	40	41	√
01THP40D50	THP 40 M8x50	40	25	21	11	M8	50	43	√
01THP40D60	THP 40 M8x60	40	25	21	11	M8	60	44	√
01THP40E20	THP 40 M10x20	40	25	21	11	M10	20	45	√
01THP40E25	THP 40 M10x25	40	25	21	11	M10	25	48	√
01THP40E30	THP 40 M10x30	40	25	21	11	M10	30	49	√
01THP40E40	THP 40 M10x40	40	25	21	11	M10	40	55	√
01THP40E50	THP 40 M10x50	40	25	21	11	M10	50	56	√
01THP50D15	THP 50 M8x15	50	30	24	13	M8	15	45	√
01THP50D20	THP 50 M8x20	50	30	24	13	M8	20	47	√
01THP50D25	THP 50 M8x25	50	30	24	13	M8	25	48	√
01THP50D30	THP 50 M8x30	50	30	24	13	M8	30	48	√
01THP50D35	THP 50 M8x35	50	30	24	13	M8	35	49	√
01THP50D40	THP 50 M8x40	50	30	24	13	M8	40	52	√
01THP50D45	THP 50 M8x45	50	30	24	13	M8	45	54	√
01THP50D50	THP 50 M8x50	50	30	24	13	M8	50	57	√
01THP50D60	THP 50 M8x60	50	30	24	13	M8	60	59	√
01THP50E15	THP 50 M10x15	50	30	24	13	M10	15	56	-
01THP50E20	THP 50 M10x20	50	30	24	13	M10	20	57	√
01THP50E25	THP 50 M10x25	50	30	24	13	M10	25	60	√
01THP50E30	THP 50 M10x30	50	30	24	13	M10	30	62	√
01THP50E35	THP 50 M10x35	50	30	24	13	M10	35	64	√
01THP50E40	THP 50 M10x40	50	30	24	13	M10	40	66	√
01THP50E45	THP 50 M10x45	50	30	24	13	M10	45	70	-
01THP50E50	THP 50 M10x50	50	30	24	13	M10	50	72	√
01THP50E60	THP 50 M10x60	50	30	24	13	M10	60	75	√
01THP50E70	THP 50 M10x70	50	30	24	13	M10	70	80	-
01THP50E75	THP 50 M10x75	50	30	24	13	M10	75	82	-
01THP50F20	THP 50 M12x20	50	30	24	13	M12	20	70	√
01THP50F25	THP 50 M12x25	50	30	24	13	M12	25	70	√
01THP50F30	THP 50 M12x30	50	30	24	13	M12	30	70	√
01THP50F40	THP 50 M12x40	50	30	24	13	M12	40	80	-
01THP50F50	THP 50 M12x50	50	30	24	13	M12	50	85	√
01THP50F60	THP 50 M12x60	50	30	24	13	M12	60	90	-
01THP60D15	THP 60 M8x15	60	38	28	17	M8	15	79	-
01THP60D20	THP 60 M8x20	60	38	28	17	M8	20	80	-
01THP60D25	THP 60 M8x25	60	38	28	17	M8	25	80	√
01THP60D30	THP 60 M8x30	60	38	28	17	M8	30	85	√
01THP60D35	THP 60 M8x35	60	38	28	17	M8	35	88	√
01THP60D40	THP 60 M8x40	60	38	28	17	M8	40	90	√
01THP60D50	THP 60 M8x50	60	38	28	17	M8	50	100	√

01THP60D60	THP 60 M8x60	60	38	28	17	M8	60	150	√
01THP60E20	THP 60 M10x20	60	38	28	17	M10	20	90	√
01THP60E25	THP 60 M10x25	60	38	28	17	M10	25	93	√
01THP60E30	THP 60 M10x30	60	38	28	17	M10	30	95	√
01THP60E40	THP 60 M10x40	60	38	28	17	M10	40	101	√
01THP60E50	THP 60 M10x50	60	38	28	17	M10	50	102	√
01THP60E60	THP 60 M10x60	60	38	28	17	M10	60	104	√
01THP60F25	THP 60 M12x25	60	38	28	17	M12	25	107	√
01THP60F30	THP 60 M12x30	60	38	28	17	M12	30	108	√
01THP60F35	THP 60 M12x35	60	38	28	17	M12	35	115	√
01THP60F40	THP 60 M12x40	60	38	28	17	M12	40	120	√
01THP60F50	THP 60 M12x50	60	38	28	17	M12	50	130	√
01THP60F60	THP 60 M12x60	60	38	28	17	M12	60	135	-
01THP60F70	THP 60 M12x70	60	38	28	17	M12	70	140	√
01THP60N25	THP 60 M14x25	60	38	28	17	M14	25	135	-
01THP60N30	THP 60 M14x30	60	38	28	17	M14	30	138	-
01THP60N40	THP 60 M14x40	60	38	28	17	M14	40	145	-
01THP60N50	THP 60 M14x50	60	38	28	17	M14	50	150	-
01THP60N60	THP 60 M14x60	60	38	28	17	M14	60	180	-
01THP60N70	THP 60 M14x70	60	38	28	17	M14	70	200	-
01THP80E30	THP 80 M10x30	80	39	30	17	M10	30	110	√
01THP80F20	THP 80 M12x20	80	39	30	17	M12	20	110	√
01THP80F30	THP 80 M12x30	80	39	30	17	M12	30	115	-
01THP80F40	THP 80 M12x40	80	39	30	17	M12	40	120	-
01THP80F50	THP 80 M12x50	80	39	30	17	M12	50	131	-
01THP80N30	THP 80 M14x30	80	39	30	17	M14	30	100	-
01THP80N40	THP 80 M14x40	80	39	30	17	M14	40	120	-
01THP80N50	THP 80 M14x50	80	39	30	17	M14	50	130	-
01THP80P30	THP 80 M16x30	80	39	30	17	M16	30	140	-
01THP80P40	THP 80 M16x40	80	39	30	17	M16	40	160	-
01THP80P50	THP 80 M16x50	80	39	30	17	M16	50	180	-

Werkstoff

Technopolymer auf Polyamidbasis (PA).

Beständig gegen organische und anorganische chemische Stoffe wie Öle, Fette, Kraftstoffe, Lösungsmittel.

Farbe

Schwarz; satiniertes Finish.

Bei entsprechenden Stückzahlen auch andere Farben möglich.

Einsatz

Verzinkter Stahl.

Spezialeinsätze nach Zeichnung und/ oder aus Messing auf Anfrage bei entsprechenden Stückzahlen.

Anmerkungen

Bei entsprechenden Stückzahlen Kundenanpassung mit Logo und/ oder Grafik möglich.

Verpackungseinheit

THP 20/25/30/40: 25 - 100 - 200 Stück.

THP 50/60/80: 10 - 50 - 100 Stück.



Thenar Srl - Via della Costituzione, 66 - 42015 Correggio (RE) Italien

Tel. +39 0522 740511 - Fax +39 0522 740555 - info@thenar.it - www.thenar.it

Thenar-Modelle - Reproduktion der Zeichnungen nur zulässig, wenn die Quelle angegeben wird.

