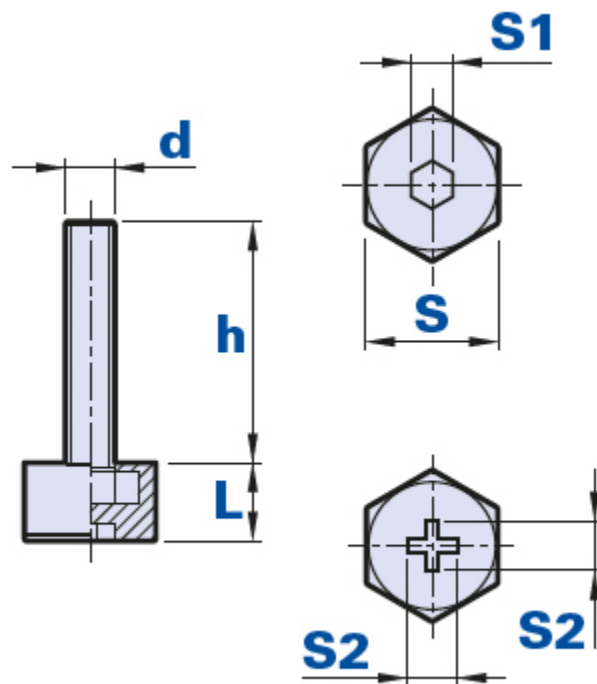


Hexagonal foot with fixed threaded pin



Code	Description	Dimensions				Insert		Weight grams	Stock
		S	S1	S2	L	d	h		
01018B19	018 M5 x 19	16	-	7	7,6	M5	19	6	√
01018C17	018 M6 x 17	16	-	7	7,6	M6	17	7	√
01018C29	018 M6 x 29	16	-	7	7,6	M6	29	11	-
01018D35	018 M8 x 34	16	5	-	9,6	M8	34	15	√
01018D45	018 M8 x 44	16	5	-	9,6	M8	44	19	-
01018D55	018 M8 x 54	16	5	-	9,6	M8	54	23	√

Material

Polyamide-based (PA) technopolymer. Resistant to organic and inorganic chemical substances such as oils, greases, fuels and solvents.

Colour

Black with satin finish.

Insert

Galvanized steel.

Package

100 - 200 - 500 pcs.