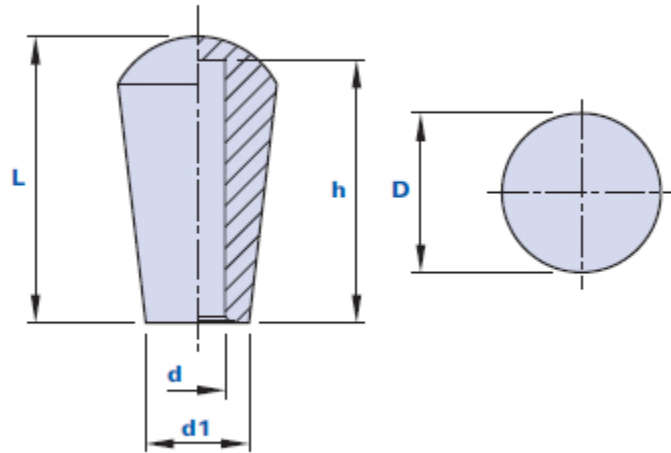


Spherical head knob



Code	Description	Dimensions			Hole		Weight grams	Stock
		L	D	d1	d	h		
100000000800	1000 D. 8	36	20	13	8	33	20	√

Material

Polyvinylchloride-based (PVC) technopolymer. Resistant to organic and inorganic chemical substances such as oils, greases, fuels and solvents.

Colour

Black with satin finish. Other colours for suitable quantities.

Assembly

Press-fit.

Package

500 pcs.