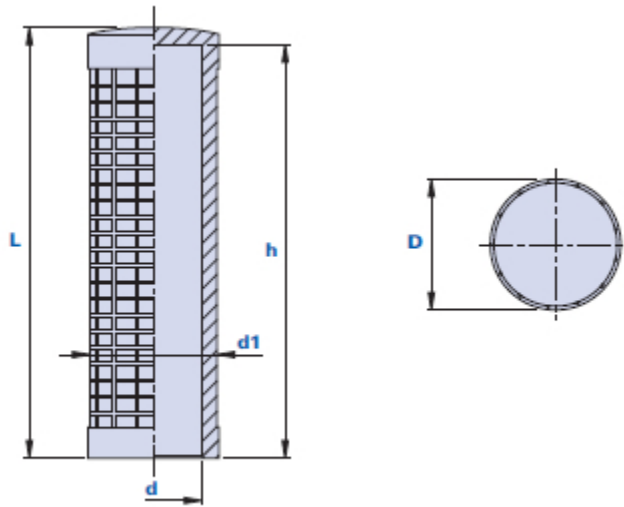


# 1005

**VAL-PA**

## Grip handle in PVC



Code	Description	Dimensions			Hole		Weight grams	Stock
		L	D	d1	d	h		
100500300000	1005 D.30	125	38	36	30	121	50	√

### Material

Polyvinylchloride-based (PVC) technopolymer.

Resistant to organic and inorganic chemical substances such as oils, greases, fuels and solvents.

### Colour

Black with satin finish. Other colours for suitable quantities.

### Assembly

Press-fit.

### Package

100 pcs.