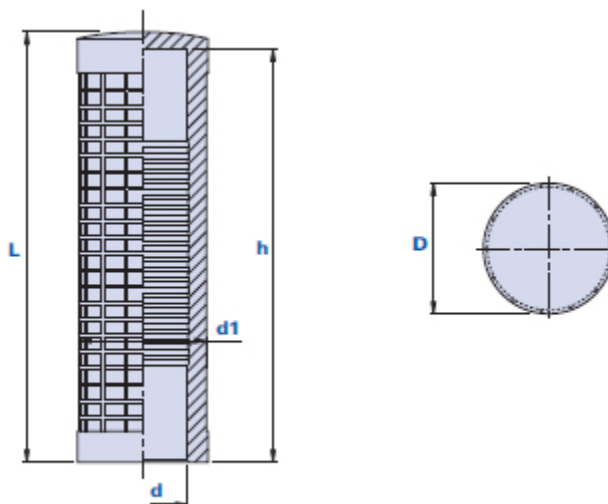


1005AV

VAL-PA

Anti-vibration handle



Code	Description	Dimensions			Hole		Weight grams	Stock
		L	D	d1	d	h		
10050022AV00	1005AV D.20-22	125	38	36	20-22	121	79	√
10050025AV00	1005AV D.25-27	125	38	36	25-27	121	62	√

Material

Polyvinylchloride-based (PVC) technopolymer. Resistant to organic and inorganic chemical substances such as oils, greases, fuels and solvents.

Colour

Black. Other colours for suitable quantities.

Assembly

Press-fit.

Package

100 pcs.