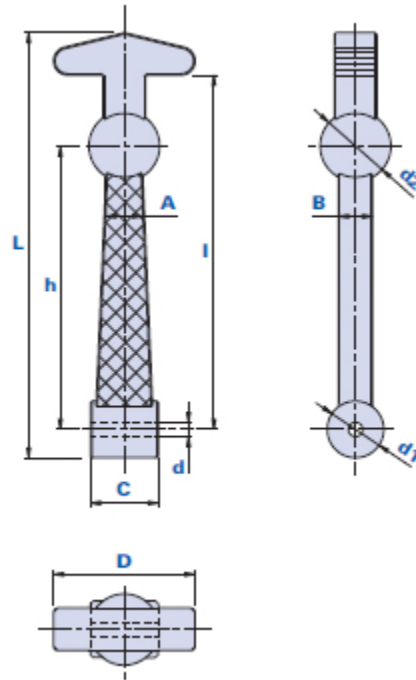


# 1012ND

**VAL-PA**

## Rubber hood rod



EPDM

-100  
-20

RoHS

Code	Description	Dimensions							Hole		Weight grams	Stock	
		L	D	A	B	C	I	d1	d2	d			h
1012ND000000	1012ND	150	50	3	12	24	125	20	25	5	100	57,9	√

### Material

Ethylene-propylene-based rubber (EPDM) resistant to atmospheric agents, ultraviolet radiations and ozone, even at high temperatures. Resistant to water and steam, alkaline salt solutions, heavy mineral bases, glycols, brake fluids, ketones and oxygenates solvents. Not resistant to oils and greases, aliphatic, aromatic and chlorinated hydrocarbons, silicic ester-based hydraulic fluids.

### Colour

Black.

### Package

100 pcs.