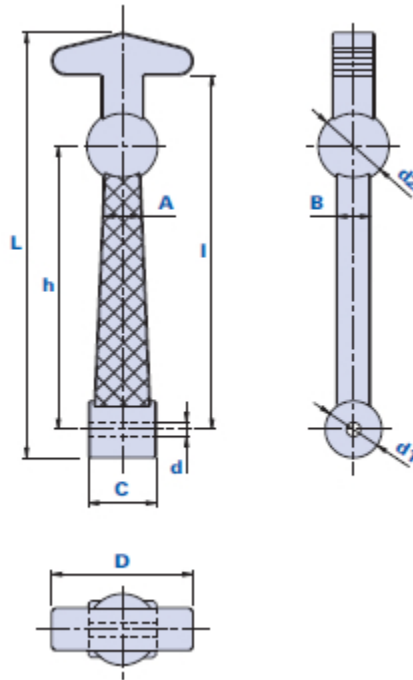


# 1021D

**VAL-PA**

## Rubber hood rod



Code	Description	Dimensions										Hole		Weight grams	Stock
		L	D	A	B	C	E	h1	l	d1	d2	d	h		
1021D0000000	1021D	120	52	15	10	26	18	32	97	16	24	6	74	41,6	√

### Material

Ethylene-propylene-based rubber (EPDM) resistant to atmospheric agents, ultraviolet radiation and ozone, even at high temperatures.

Resistant to water and steam, alkaline salt solutions, heavy mineral bases, glycols, brake fluids, ketones and oxygenates solvents. Not resistant to oils and greases, aliphatic, aromatic and chlorinated hydrocarbons, silicic ester-based hydraulic fluids.

### Colour

Black.

### Package

100 pcs.