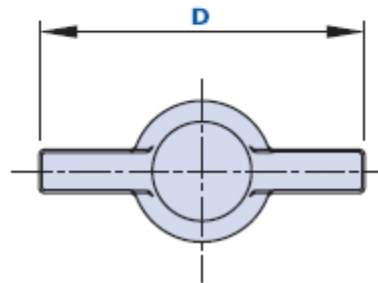
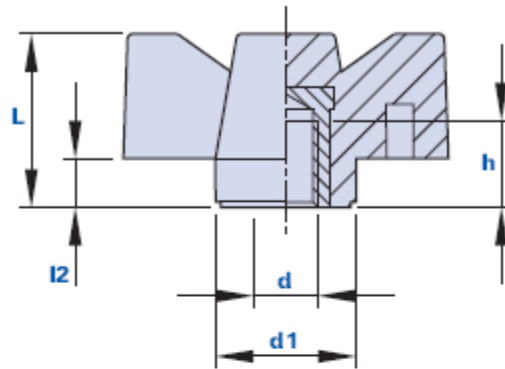


1022F



Wing nut with blind threaded bush



Code	Description	Dimensions				Insert		Weight grams	Stock
		D	L	d1	L2	d	h		
1022F0000400	1022F M4	30	16	13	4	M4	8	6	-
1022F0000500	1022F M5	30	16	13	4	M5	8	5,5	-
1022F0000600	1022F M6	30	16	13	4	M6	8	5,1	-
1022F0000800	1022F M8	30	16	13	4	M8	8	5	-

Material

Polyamide-based (PA) technopolymer. Resistant to organic and inorganic chemical substances such as oils, greases, fuels and solvents.

Colour

Black with satin finish. Other colours for suitable quantities.

Insert

Brass. Special inserts on design and/or in nickel-plated brass/stainless steel on request, for suitable quantities.

Package

25 - 100 - 200 pcs.

