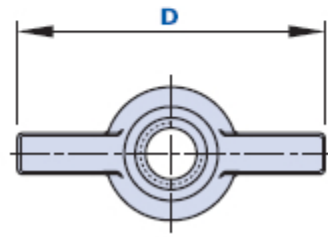
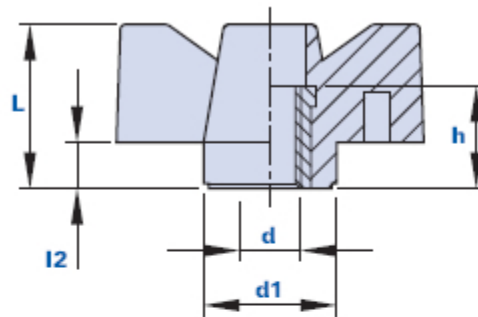


1022FP



Wing nut with pass-through threaded bush



Code	Description	Dimensions				Insert		Weight grams	Stock
		D	L	d1	L2	d	h		
1022FP005000	1022FP- M5	30	16	13	4	M5	10	5,4	-
1022FP006000	1022FP- M6	30	16	13	4	M6	10	5	-

Material

Polyamide-based (PA) technopolymer. Resistant to organic and inorganic chemical substances such as oils, greases, fuels and solvents.

Colour

Black with satin finish. Other colours for suitable quantities.

Insert

Brass. Special inserts on design and/or in nickel-plated brass/stainless steel on request, for suitable quantities.

Package

25 - 100 - 100 pcs.