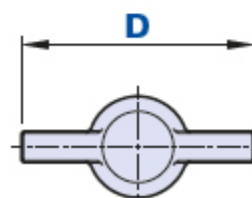
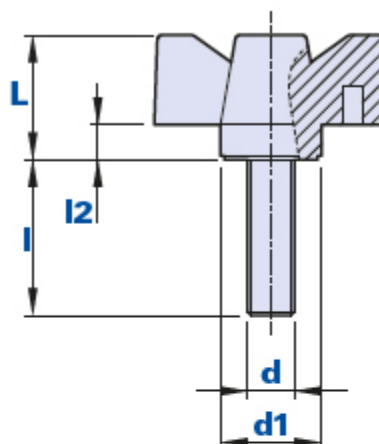


# 1022M



## Wing nut with threaded pin



Code	Description	Dimensions				Insert		Weight grams	Stock
		D	L	d1	L2	d	l		
1022M0041000	1022M - M4x10	30	16	13	4	M4	10	5,2	-
1022M0041500	1022M - M4x15	30	16	13	4	M4	15	5,9	-
1022M0042000	1022M - M4x20	30	16	13	4	M4	20	6,5	-
1022M0051000	1022M - M5x10	30	16	13	4	M5	10	6,1	-
1022M0051500	1022M - M5x15	30	16	13	4	M5	15	6,5	-
1022M0052000	1022M - M5x20	30	16	13	4	M5	20	6,9	-
1022M0052500	1022M - M5x25	30	16	13	4	M5	25	7,3	-
1022M0053000	1022M - M5x30	30	16	13	4	M5	30	7,7	-
1022M0061000	1022M - M6x10	30	16	13	4	M6	10	6,3	-
1022M0061500	1022M - M6x15	30	16	13	4	M6	15	7,6	-
1022M0062000	1022M - M6x20	30	16	13	4	M6	20	8,3	-
1022M0062500	1022M - M6x25	30	16	13	4	M6	25	9	-
1022M0063000	1022M - M6x30	30	16	13	4	M6	30	9,7	-
1022M0063500	1022M - M6x35	30	16	13	4	M6	35	10,4	-
1022M0064000	1022M - M6x40	30	16	13	4	M6	40	11	-
1022M0081000	1022M - M8x10	30	16	13	4	M8	10	7	-
1022M0081500	1022M - M8x15	30	16	13	4	M8	15	8,4	-

<b>1022M0082000</b>	1022M - M8x20	30	16	13	4	M8	20	10	-
<b>1022M0082500</b>	1022M - M8x25	30	16	13	4	M8	25	15	-
<b>1022M0083000</b>	1022M - M8x30	30	16	13	4	M8	30	17	-
<b>1022M0083500</b>	1022M - M8x35	30	16	13	4	M8	35	18,6	-
<b>1022M0084000</b>	1022M - M8x40	30	16	13	4	M8	40	20	-
<b>1022M0085000</b>	1022M - M8x50	30	16	13	4	M8	50	21,4	-

#### Material

Polyamide-based (PA) technopolymer. Resistant to organic and inorganic chemical substances such as oils, greases, fuels and solvents.

#### Colour

Black with satin finish.

Other colours for suitable quantities.

#### Insert

Zinc-passivated steel. Special inserts on design and/or in brass/stainless steel on request, for suitable quantities.

#### Package

25 - 100 - 200 pcs.