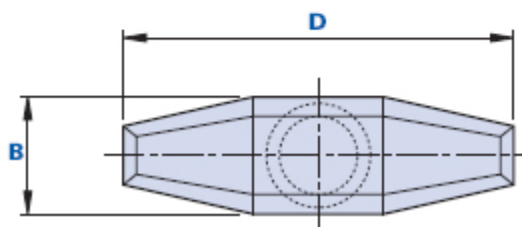
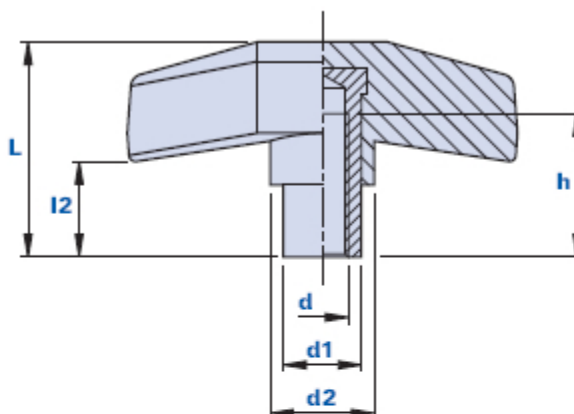


1023F



T handgrip with blind threaded bush



Code	Description	Dimensions						Insert		Weight grams	Stock
		D	B	L	d1	d2	L2	d	h		
1023F0000800	1023F M8	60	18	33	12	16	5	M8	26	32	-

Material

Polyamide-based (PA) technopolymer. Resistant to organic and inorganic chemical substances such as oils, greases, fuels and solvents.

Colour

Black with satin finish. Other colours for suitable quantities.

Insert

Brass. Special inserts on design and/or in stainless steel, on request for suitable quantities.

Package

25 - 50 - 100 pcs.