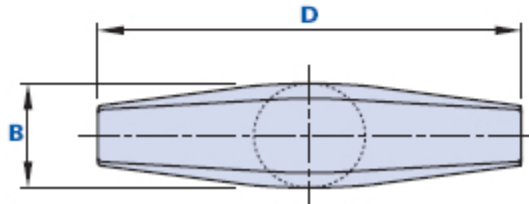
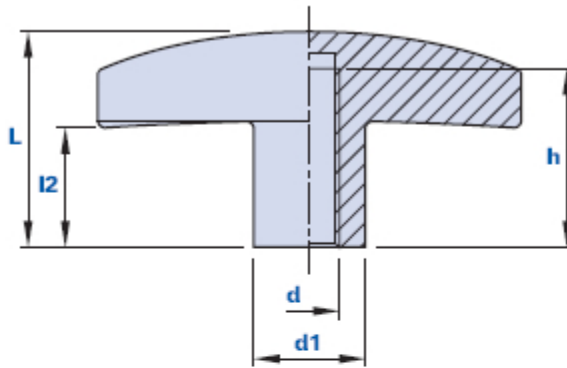


1023T



T handgrip with blind threaded hole



Code	Description	Dimensions					Hole		Weight grams	Stock
		D	B	L	d1	L2	d	h		
1023T0000600	1023T M6	57	14	29	15	16	M6	24	10	-
1023T0000800	1023T M8	57	14	29	15	16	M8	24	9,5	-

Material

Polyamide-based (PA) technopolymer. Resistant to organic and inorganic chemical substances such as oils, greases, fuels and solvents.

Colour

Black with satin finish.
Other colours for suitable quantities.

Threading

Directly obtained from the plastic material.

Package

25 - 50 - 100 pcs.

