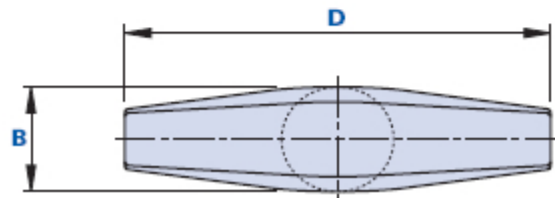
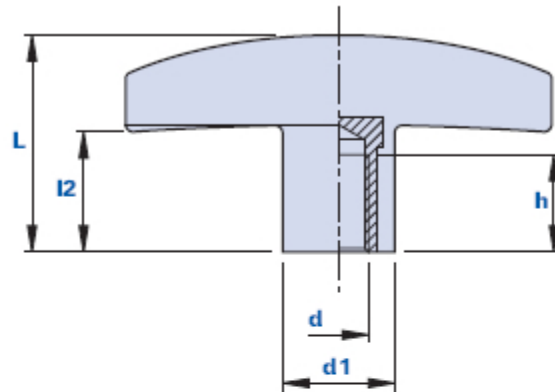


1023TB



T handgrip with blind threaded bush



Code	Description	Dimensions					Insert		Weight grams	Stock
		D	B	L	d1	L2	d	h		
1023TB000600	1023TB M6	57	14	29	15	16	M6	13	13,4	-
1023TB000800	1023TB M8	57	14	29	15	16	M8	13	13	-

Material

Polyamide-based (PA) technopolymer. Resistant to organic and inorganic chemical substances such as oils, greases, fuels and solvents.

Colour

Black with satin finish.
Other colours for suitable quantities.

Insert

Brass. Special inserts on design and/or in stainless steel, on request for suitable quantities.

Package

25 - 50 - 100 pcs.