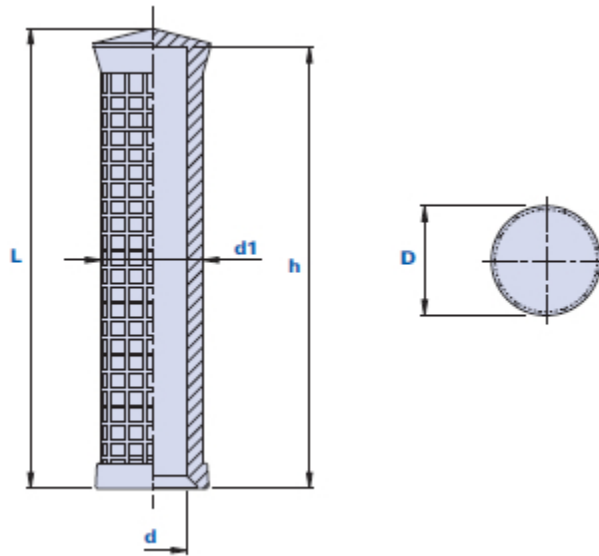


1024

VAL-PA

Grip handle in PVC



Code	Description	Dimensions			Hole		Weight grams	Stock
		L	D	d1	d	h		
102400001600	1024 D.16	126	30	28	16	120	64	√
102400001800	1024 D.18	126	30	28	18	120	58	√
102400001900	1024 D.19	126	30	28	19	120	55	√
102400202100	1024 D.20-21	126	30	28	20-21	120	51	√
102400212200	1024 D.21-22	126	30	28	21-22	120	41	√
102400242500	1024 D.24-25	126	30	28	24	120	29	√
102400242600	1024 D.25	126	30	28	25	120	28	√

Material

Polyvinylchloride-based (PVC) technopolymer. Resistant to organic and inorganic chemical substances such as oils, greases, fuels and solvents.

Colour

Black. Other colours for suitable quantities.

Assembly

Press-fit.

Package

100 pcs.