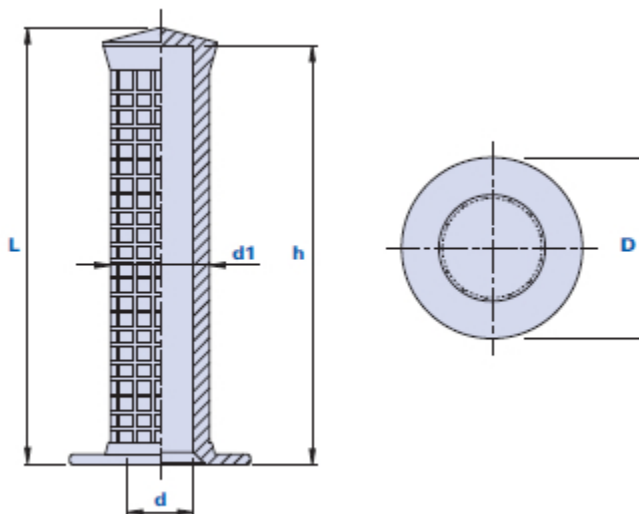


# 1024BP

**VAL-PA**

Grip handle in PVC with hand-guard



Code	Description	Dimensions			Hole		Weight grams	Stock
		L	D	d1	d	h		
1024BP001600	1024BP D.16	123	49	28	16	117	69	√
1024BP001800	1024BP D.18	123	49	28	18	117	64	√
1024BP001900	1024BP D.19	123	49	28	19	117	57	√
1024BP202100	1024BP D.20-21	123	49	28	20-21	117	50	√
1024BP212200	1024BP D.21-22	123	49	28	21-22	117	46	√
1024BP230000	1024BP D.23	123	49	28	23	117	42	-
1024BP242500	1024BP D.24-25	123	49	28	24-25	117	34	√
1024BP250000	1024BP D.25	123	49	28	25	117	31	√

## Material

Polyvinylchloride-based (PVC) technopolymer. Resistant to organic and inorganic chemical substances such as oils, greases, fuels and solvents.

## Colour

Black. Other colours for suitable quantities.

## Assembly

Press-fit.

## Package

100 pcs.