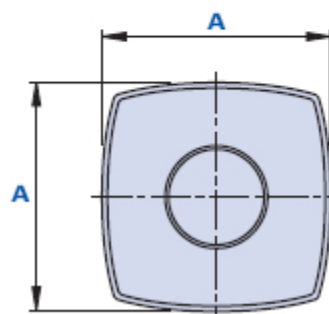
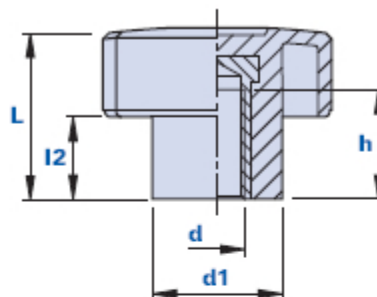


1025F



Grip knob with blind threaded bush



Code	Description	Dimensions				Insert		Weight grams	Stock
		AxA	L	d1	L2	d	h		
1025F3000600	1025F D.30 M6	25x25	20	16	9	M6	8	9,3	-
1025F3000800	1025F D.30 M8	25x25	20	16	9	M8	11	10	-
1025F4000600	1025F D.40 M6	34x34	26	19	12	M6	13	13,8	-
1025F4000800	1025F D.40 M8	34x34	26	19	12	M8	16	14,5	-
1025F4001000	1025F D.40 M10	34x34	26	19	12	M10	17	15,2	-
1025F5000800	1025F D.50 M8	42x42	35	23	18	M8	16	26,2	-
1025F5001000	1025F D.50 M10	42x42	35	23	18	M10	17	27,8	-
1025F5001200	1025F D.50 M12	42x42	35	23	18	M12	17	29,4	-
1025F6000800	1025F D.60 M8	51x51	40	27	20	M8	17	38	-
1025F6001000	1025F D.60 M10	51x51	40	27	20	M10	17	40	-
1025F6001200	1025F D.60 M12	51x51	40	27	20	M12	17	41,5	-

Material

Polyamide-based (PA) technopolymer. Resistant to organic and inorganic chemical substances such as oils, greases, fuels and solvents.

Colour

Black with shiny finish. Other colours for suitable quantities.



Thenar Srl - Via della Costituzione, 66 - 42015 Correggio (RE) Italy

Tel. +39 0522 740511 - Fax +39 0522 740555 - info@thenar.it - www.thenar.it

THENAR models are reserved property under the law - Non-reproducible drawings unless the source is cited.

Insert

Brass. Special inserts on design and/or in nickel-plated brass/ stainless steel on request, for suitable quantities.

Package

25 - 50 - 100 pcs.