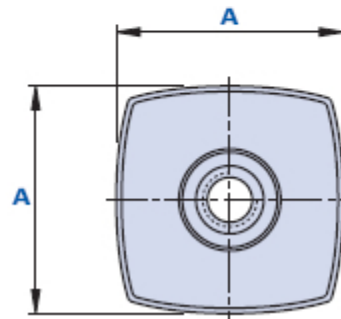
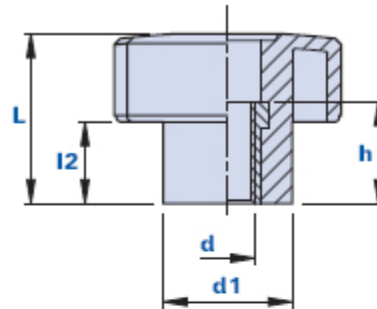


1025FP



Grip knob with pass-through threaded bush



Code	Description	Dimensions				Insert		Weight grams	Stock
		AxA	L	d1	L2	d	h		
1025FP300600	1025FP D.30 M6	25x25	20	16	10	M6	10	9,1	-
1025FP300800	1025FP D.30 M8	25x25	20	16	10	M8	10	9,8	-
1025FP400600	1025FP D.40 M6	34x34	26	19	12	M6	15	13,6	-
1025FP400800	1025FP D.40 M8	34x34	26	19	12	M8	15	14,3	-
1025FP401000	1025FP D.40 M10	34x34	26	19	12	M10	15	15	-
1025FP500800	1025FP D.50 M8	42x42	35	23	18	M8	20	26	-
1025FP501000	1025FP D.50 M10	42x42	35	23	18	M10	20	27,6	-
1025FP600800	1025FP D.60 M8	51x51	40	27	20	M8	20	38	-
1025FP601000	1025FP D.60 M10	51x51	40	27	20	M10	20	39,2	-
1025FP601200	1025FP D.60 M12	51x51	40	27	20	M12	20	40,5	-

Material

Polyamide-based (PA) technopolymer. Resistant to organic and inorganic chemical substances such as oils, greases, fuels and solvents.

Colour

Black with shiny finish. Other colours for suitable quantities.

Insert



Thenar Srl - Via della Costituzione, 66 - 42015 Correggio (RE) Italy

Tel. +39 0522 740511 - Fax +39 0522 740555 - info@thenar.it - www.thenar.it

THENAR models are reserved property under the law - Non-reproducible drawings unless the source is cited.

Brass. Special inserts on design and/or in nickel-plated brass/ stainless steel on request, for suitable quantities.

Package

25 - 50 - 100 pcs.