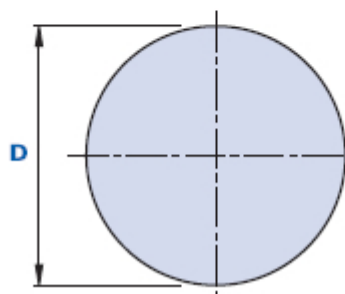
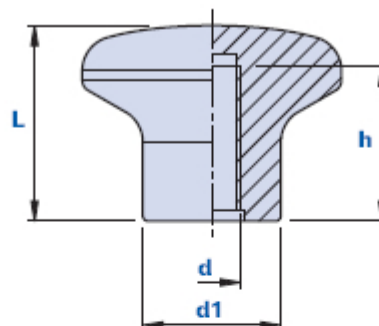


1030NF



Handle with blind threaded hole



Code	Description	Dimensions			Hole		Weight grams	Stock
		L	D	d1	d	h		
1030NF450600	1030NF D.45 M6	35	45	24	M6	15	36	-
1030NF450800	1030NF D.45 M8	35	45	24	M8	15	36	-
1030NF451000	1030NF D.45 M10	35	45	24	M10	15	36	-
1030NF451200	1030NF D.45 M12	35	45	24	M12	15	35	-

Material

Polyamide-based (PA) technopolymer. Resistant to organic and inorganic chemical substances such as oils, greases, fuels and solvents.

Colour

Black. Other colours for suitable quantities.

Threading

Directly obtained from the plastic material.

Package

25 - 50 - 100 pcs.



Thenar Srl - Via della Costituzione, 66 - 42015 Correggio (RE) Italy

Tel. +39 0522 740511 - Fax +39 0522 740555 - info@thenar.it - www.thenar.it

THENAR models are reserved property under the law - Non-reproducible drawings unless the source is cited.