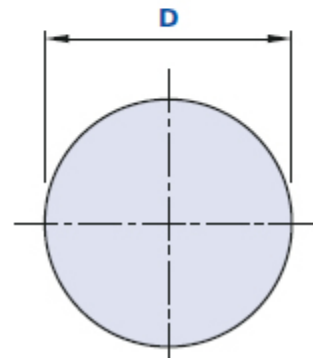
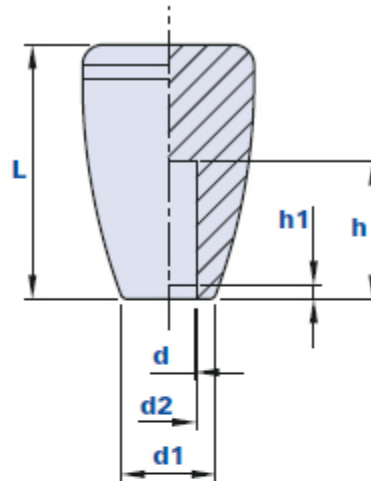


# 1031NYL



## Conical knob with blind smooth hole



Code	Description	Dimensions					Hole		Weight grams	Stock
		L	D	d1	d2	h1	d	h		
1031NY000700	1031 NYL d.7	37	25	12	8	3	7	20	17	-
1031NY000800	1031 NYL d.8	37	25	12	8	3	8	20	16	-

### Material

Polyamide-based (PA) technopolymer. Resistant to organic and inorganic chemical substances such as oils, greases, fuels and solvents.

### Colour

Black. Other colours for suitable quantities.

### Assembly

Press-fit, hole directly obtained from the plastic material.

### Package

25 - 50 - 100 pcs.



Thenar Srl - Via della Costituzione, 66 - 42015 Correggio (RE) Italy

Tel. +39 0522 740511 - Fax +39 0522 740555 - info@thenar.it - www.thenar.it

THENAR models are reserved property under the law - Non-reproducible drawings unless the source is cited.