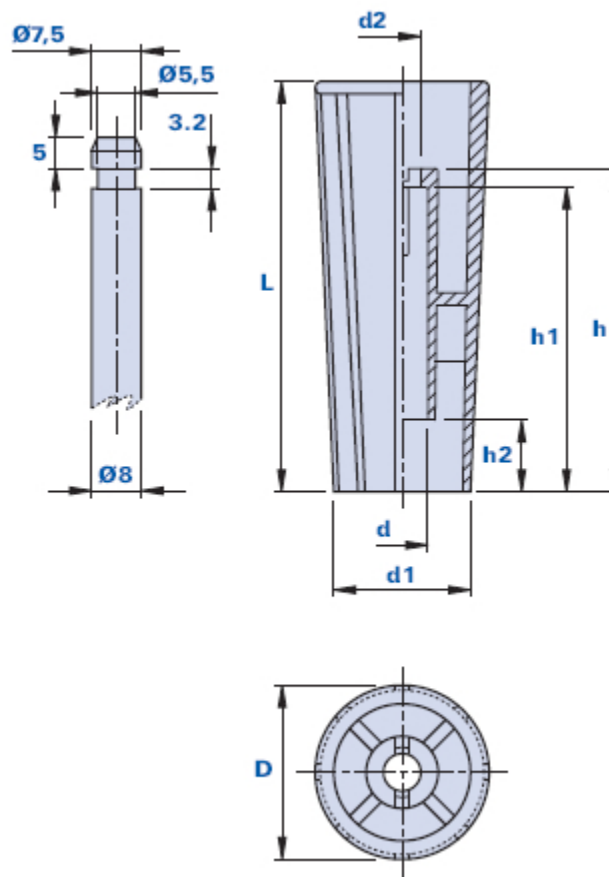


1035

Revolving handgrip



Code	Description	Dimensions			Hole				Pin	Weight grams	Stock
		L	D	d1	d	h	h1	h2	d2		
10350000800	1035 d.8	66	28	22	8,3	52	49	11,5	6	11	√

Material

Polyethylene-based (PE) technopolymer. Resistant to organic and inorganic chemical substances such as oils, greases, fuels and solvents.

Colour

Black. Other colours for suitable quantities.

Assembly

Press-fit, hole directly obtained from the plastic material.

Package

100 - 250 - 500 pcs.