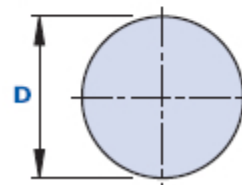
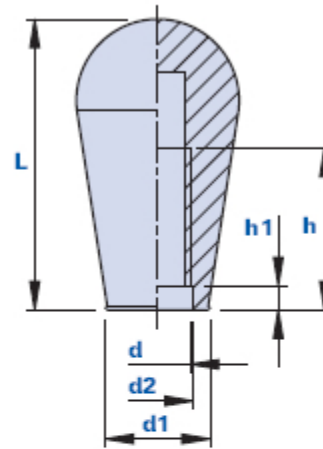


Handgrip with blind threaded hole



Code	Description	Dimensions					Hole		Weight grams	Stock
		L	D	d1	d2	h1	d	h		
103800000800	1038 M8	36	20	13	9	3	M8	20	7	-

Material

Polyamide-based (PA) technopolymer. Resistant to organic and inorganic chemical substances such as oils, greases, fuels and solvents.

Colour

Black with shiny finish.

Threading

Directly obtained from the plastic material.

Package

100 pcs.