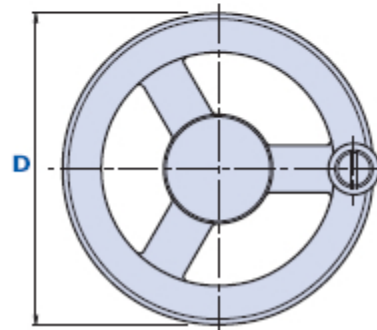
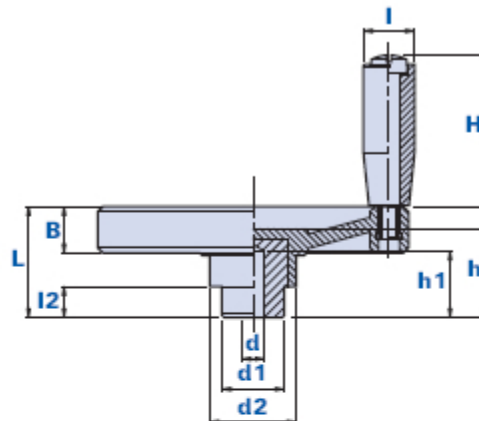


Spoked handwheel with fixed revolving handgrip



Code	Description	Dimensions						Insert			Handgrip		Weight grams	Stock
		D	L	B	d2	l2	h	dH7	h1	d1	H	l		
1049M0012000	1049 D.120	120	44	18	33,5	12	38	8	25	24	51	21	248	-
1049M0014000	1049 D.140	140	50	21	39	14	40	10	30	28	67	23	358	-
1049M0016000	1049 D.160	160	57	23	44	16	44	10	30	32	67	23	541	-
1049M0018000	1049 D.180	180	65	27	50,5	18	52	12	30	36	80	26	720	-

Material

Polyamide-based (PA) technopolymer. Resistant to organic and inorganic chemical substances such as oils, greases, fuels and solvents.

Colour

Black with shiny finish.

Insert

Zinc-passivated steel with standard blind hole with tolerance H7.

Special inserts on design and/or in brass/stainless steel, on request for suitable quantities.

Remarks

On request, for small/medium quantities, we execute threaded holes for fixing the handwheel on the shaft or keyways.

Package

1 - 5 - 10 pcs.



Thenar Srl - Via della Costituzione, 66 - 42015 Correggio (RE) Italy

Tel. +39 0522 740511 - Fax +39 0522 740555 - info@thenar.it - www.thenar.it

THENAR models are reserved property under the law - Non-reproducible drawings unless the source is cited.