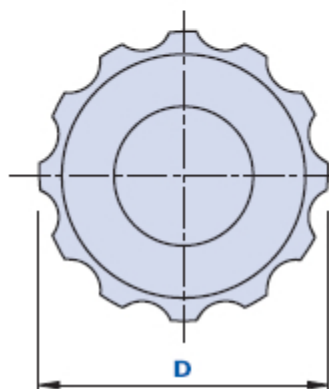
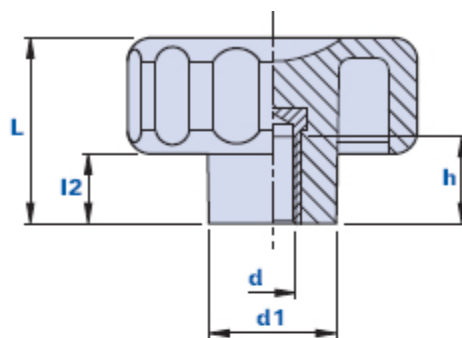
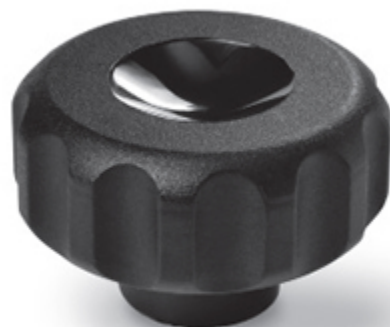


1052F



Fluted grip knob with blind threaded bush



| Code | Description | Dimensions | | | | Insert | | Weight grams | Stock |
|--------------|----------------|------------|----|----|----|--------|----|--------------|-------|
| | | D | L | d1 | l2 | d | h | | |
| 1052F2000400 | 1052F D.20 M4 | 20 | 15 | 12 | 7 | M4 | 9 | 4,2 | - |
| 1052F2000500 | 1052F D.20 M5 | 20 | 15 | 12 | 7 | M5 | 9 | 4,5 | - |
| 1052F2000600 | 1052F D.20 M6 | 20 | 15 | 12 | 7 | M6 | 9 | 5 | √ |
| 1052F3000500 | 1052F D.30 M5 | 30 | 19 | 16 | 7 | M5 | 9 | 10 | - |
| 1052F3000600 | 1052F D.30 M6 | 30 | 19 | 16 | 7 | M6 | 9 | 9,7 | √ |
| 1052F3000800 | 1052F D.30 M8 | 30 | 19 | 16 | 7 | M8 | 12 | 12,2 | - |
| 1052F4000600 | 1052F D.40 M6 | 40 | 27 | 19 | 11 | M6 | 14 | 19,2 | √ |
| 1052F4000800 | 1052F D.40 M8 | 40 | 27 | 19 | 11 | M8 | 17 | 21,5 | √ |
| 1052F4001000 | 1052F D.40 M10 | 40 | 27 | 19 | 11 | M10 | 17 | 22 | - |
| 1052F5000600 | 1052F D.50 M6 | 50 | 32 | 21 | 12 | M6 | 17 | 34 | - |
| 1052F5000800 | 1052F D.50 M8 | 50 | 32 | 21 | 12 | M8 | 17 | 35,7 | √ |
| 1052F5001000 | 1052F D.50 M10 | 50 | 32 | 21 | 12 | M10 | 17 | 43 | √ |
| 1052F5001200 | 1052F D.50 M12 | 50 | 32 | 21 | 12 | M12 | 17 | 38,2 | - |
| 1052F6000800 | 1052F D.60 M8 | 60 | 35 | 22 | 15 | M8 | 17 | 46,1 | - |
| 1052F6001000 | 1052F D.60 M10 | 60 | 35 | 22 | 15 | M10 | 17 | 47,6 | - |
| 1052F6001200 | 1052F D.60 M12 | 60 | 35 | 22 | 15 | M12 | 17 | 48,4 | - |
| 1052F7001000 | 1052F D.70 M10 | 70 | 39 | 27 | 16 | M10 | 25 | 66,2 | - |
| 1052F7001200 | 1052F D.70 M12 | 70 | 39 | 27 | 16 | M12 | 25 | 71,1 | - |
| 1052F7001400 | 1052F D.70 M14 | 70 | 39 | 27 | 16 | M14 | 25 | 78,4 | - |

| | | | | | | | | | |
|---------------------|----------------|----|----|----|----|-----|----|------|---|
| 1052F7001600 | 1052F D.70 M16 | 70 | 39 | 27 | 16 | M16 | 25 | 85 | - |
| 1052F8001000 | 1052F D.80 M10 | 80 | 42 | 30 | 17 | M10 | 25 | 82 | - |
| 1052F8001200 | 1052F D.80 M12 | 80 | 42 | 30 | 17 | M12 | 25 | 92,6 | - |
| 1052F8001400 | 1052F D.80 M14 | 80 | 42 | 30 | 17 | M14 | 25 | 106 | - |
| 1052F8001600 | 1052F D.80 M16 | 80 | 42 | 30 | 17 | M16 | 25 | 110 | - |

Material

Polyamide-based (PA) technopolymer. Resistant to organic and inorganic chemical substances such as oils, greases, fuels and solvents.

Colour

Black with satin finish.

Other colours for suitable quantities.

Insert

Brass. Special inserts on design and/or in nickel-plated brass on request, for suitable quantities.

Package

1052F 20/30/40 : 25 - 100 - 200 pcs.

1052F 50/60/70 : 10 - 50 - 100 pcs.

1052F 80 : 1- 10 - 50 pcs.