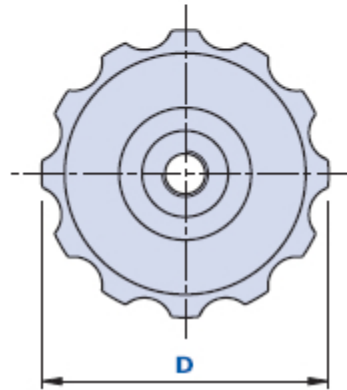
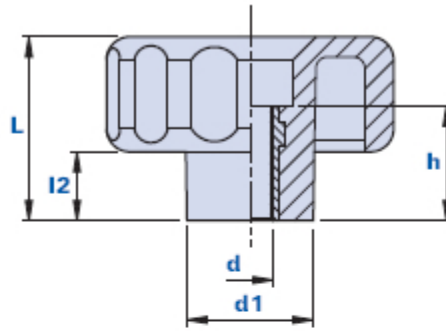


1052FP



Fluted grip knob with pass-through threaded bush



Code	Description	Dimensions				Insert		Weight grams	Stock
		D	L	d1	l2	d	h		
1052FP200500	1052FP D.20 M5	20	15	12	7	M5	10	4	-
1052FP200600	1052FP D.20 M6	20	15	12	7	M6	10	4,2	-
1052FP300500	1052FP D.30 M5	30	19	16	7	M5	10	10,7	-
1052FP300600	1052FP D.30 M6	30	19	16	7	M6	10	11,3	-
1052FP300800	1052FP D.30 M8	30	19	16	7	M8	10	9,1	-
1052FP400600	1052FP D.40 M6	40	27	19	11	M6	15	17,5	-
1052FP400800	1052FP D.40 M8	40	27	19	11	M8	15	17,8	√
1052FP401000	1052FP D.40 M10	40	27	19	11	M10	15	19	√
1052FP500800	1052FP D.50 M8	50	32	21	12	M8	20	34	-
1052FP501000	1052FP D.50 M10	50	32	21	12	M10	20	33	-
1052FP501200	1052FP D.50 M12	50	32	21	12	M12	20	45,5	-
1052FP600800	1052FP D.60 M8	60	35	22	15	M8	20	42	-
1052FP601000	1052FP D.60 M10	60	35	22	15	M10	20	40	-
1052FP601200	1052FP D.60 M12	60	35	22	15	M12	20	45	-
1052FP701000	1052FP D.70 M10	70	39	27	16	M10	20	60	-
1052FP701200	1052FP D.70 M12	70	39	27	16	M12	20	58	-
1052FP701400	1052FP D.70 M14	70	39	27	16	M14	20	65,6	-
1052FP701600	1052FP D.70 M16	70	39	27	16	M16	20	78	-
1052FP801200	1052FP D.80 M12	80	42	30	17	M12	20	80	-

1052FP801400	1052FP D.80 M14	80	42	30	17	M14	20	87	-
1052FP801600	1052FP D.80 M16	80	42	30	17	M16	20	91	-

Material

Polyamide-based (PA) technopolymer. Resistant to organic and inorganic chemical substances such as oils, greases, fuels and solvents.

Colour

Black with satin finish.

Other colours for suitable quantities.

Insert

Brass. Special inserts on design and/or in nickel-plated brass on request, for suitable quantities.

Package

1052FP 20/30/40 : 25 - 100 - 200 pcs.

1052FP 50/60/70 : 10 - 50 - 100 pcs.

1052FP 80 : 1 - 10 - 50 pcs.