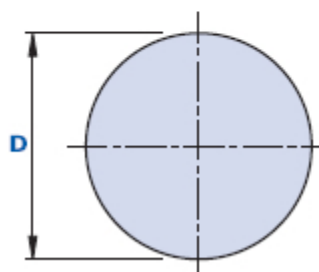
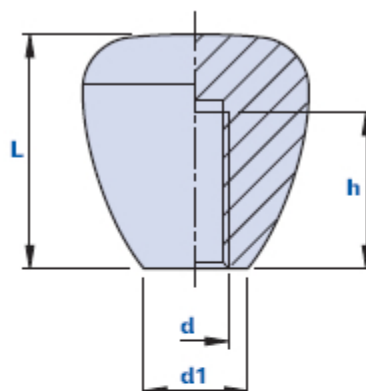


1058NF



Conical knob with blind threaded hole



Code	Description	Dimensions			Hole		Weight grams	Stock
		L	D	d1	d	h		
1058NF350800	1058/NF D.34 M8	35	34	16	M8	20	29	-
1058NF351000	1058/NF D.34 M10	35	34	16	M10	20	29	-

Material

Polyamide-based (PA) technopolymer. Resistant to organic and inorganic chemical substances such as oils, greases, fuels and solvents.

Colour

Black. Other colours for suitable quantities.

Threading

Directly obtained from the plastic material.

Package

25 - 50 - 100 pcs.