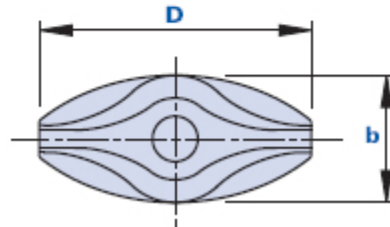
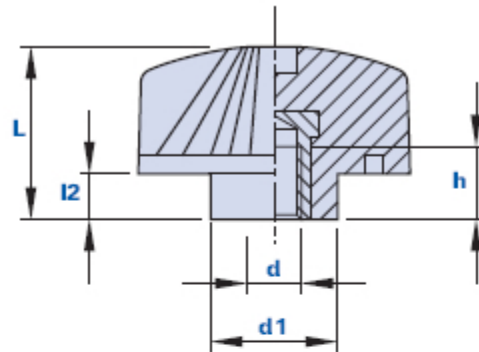


1065F



Wing nut with collar and blind threaded bush



Code	Description	Dimensions					Insert		Weight grams	Stock
		D	b	L	d1	l2	d	h		
1065F0000400	1065F M4	30	13	19	13	4	M4	8	5,2	-
1065F0000500	1065F M5	30	13	19	13	4	M5	8	5	-
1065F0000600	1065F M6	30	13	19	13	4	M6	8	5,7	-
1065F0000800	1065F M8	30	13	19	13	4	M8	8	5	-

Material

Polyamide-based (PA) technopolymer. Resistant to organic and inorganic chemical substances such as oils, greases, fuels and solvents.

Colour

Black. Other colours for suitable quantities.

Insert

Brass. Special inserts on design and/or in stainless steel on request, for suitable quantities.

Package

25 - 100 - 200 pcs.