

# 1066S

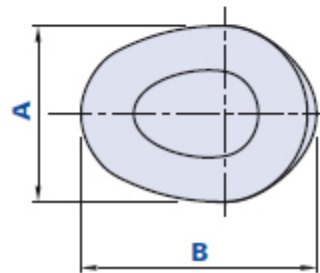
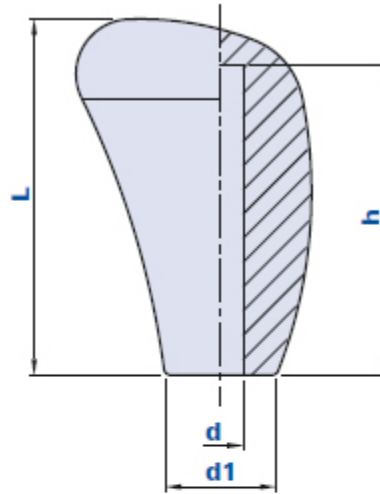
**VAL-PA**

## Gear knob

PP

+80  
-0

RoHS



Code	Description	Dimensions			Hole		Weight grams	Stock
		L	AxB	d1	d	h		
1066S0001000	1066S D.10	78	39x52	25	10	68	68	√
1066S0001200	1066S D.12	78	39x52	25	12	68	65	√
1066S0001400	1066S D.14	78	39x52	25	14	68	62	√
1066S0001600	1066S D.16	78	39x52	25	16	68	58	√

### Material

Polypropylene-based (PP) technopolymer. Resistant to organic and inorganic chemical substances such as oils, greases, fuels and solvents.

### Colour

Black with satin finish. Other colours for suitable quantities.

### Assembly

Press-fit.

### Package

100 pcs.