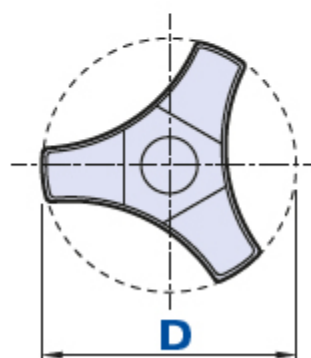
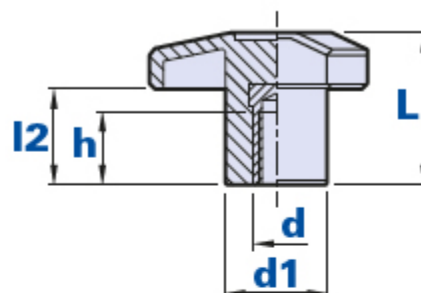


1070F



3-arm knob with blind threaded bush



Code	Description	Dimensions				Insert		Weight grams	Stock
		D	L	d1	l2	d	h		
1070F3500600	1070F D.45 M6	45	27	18	17	M6	13	13,4	-
1070F3500800	1070F D.45 M8	45	27	18	17	M8	16	14	-
1070F3501000	1070F D.45 M10	45	27	18	17	M10	17	15	-
1070F4500800	1070F D.55 M8	55	32	20	18	M8	16	22,5	-
1070F4501000	1070F D.55 M10	55	32	20	18	M10	17	23,5	-
1070F4501200	1070F D.55 M12	55	32	20	18	M12	17	24,2	-

Material

Polyamide-based (PA) technopolymer.

Resistant to organic and inorganic chemical substances such as oils, greases, fuels and solvents.

Colour

Black with satin finish.

Other colours for suitable quantities.

Insert

Brass. Special inserts on design and/or in nickel-plated brass, on request for suitable quantities.

Package



Thenar Srl - Via della Costituzione, 66 - 42015 Correggio (RE) Italy

Tel. +39 0522 740511 - Fax +39 0522 740555 - info@thenar.it - www.thenar.it

THENAR models are reserved property under the law - Non-reproducible drawings unless the source is cited.

10 - 50 - 100 pcs.