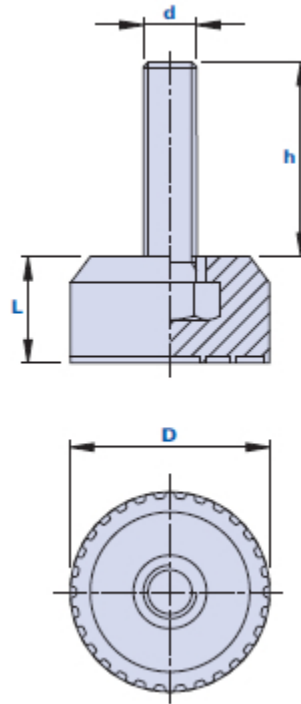


1074M

Knurled foot with high resistance fixed threaded pin



Code	Description	Dimensions		Insert		Weight Kg. x1000 pcs	Stock
		D	L	d	h		
107430081500	1074M D.30 M8x15	30	16	M8	15	21,00	-
107430082000	1074M D.30 M8x20	30	16	M8	20	22,50	-
107430082500	1074M D.30 M8x25	30	16	M8	25	24,20	-
107430083000	1074M D.30 M8x30	30	16	M8	30	25,80	-
107430083500	1074M D.30 M8x35	30	16	M8	35	27,30	-
107430084000	1074M D.30 M8x40	30	16	M8	40	28,90	-
107430085000	1074M D.30 M8x50	30	16	M8	50	32,00	-
107430086000	1074M D.30 M8x60	30	16	M8	60	35,30	-
107430101500	1074M D.30 M10x15	30	16	M10	15	32,10	-
107430102000	1074M D.30 M10x20	30	16	M10	20	34,20	-
107430102500	1074M D.30 M10x25	30	16	M10	25	36,40	-
107430103000	1074M D.30 M10x30	30	16	M10	30	38,50	-
107430103500	1074M D.30 M10x35	30	16	M10	35	40,60	-
107430104000	1074M D.30 M10x40	30	16	M10	40	42,60	-
107430104500	1074M D.30 M10x45	30	16	M10	45	44	-
107430105000	1074M D.30 M10x50	30	16	M10	50	46,80	-
107430121500	1074M D.30 M12x15	30	16	M12	15	36,00	-
107430122000	1074M D.30 M12x20	30	16	M12	20	42,20	-
107430122500	1074M D.30 M12x25	30	16	M12	25	45	-
107430123000	1074M D.30 M12x30	30	16	M12	30	48,00	-
107430123500	1074M D.30 M12x35	30	16	M12	35	51	-
107430124000	1074M D.30 M12x40	30	16	M12	40	54,10	-

107430125000	1074M D.30 M12x50	30	16	M12	50	60,00	-
--------------	-------------------	----	----	-----	----	-------	---

Material

Polyamide-based (PA) technopolymer. Resistant to organic and inorganic chemical substances such as oils, greases, fuels and solvents.

Colour

Black with satin finish.

Insert

Galvanized steel.

Package

100 - 200 - 500 pcs.