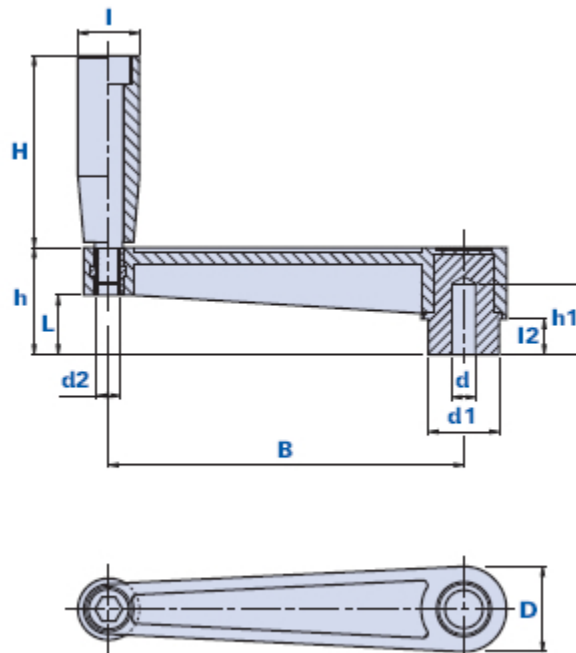


Crank handle with fixed revolving handgrip



Code	Description	Dimensions						Insert			Handgrip		Weight grams	Stock
		D	L	B	d2	l2	h	dH7	d1	h1	H	I		
107700015000	1077 - 150 D.10	36	25	150	M10	15	45	10	30	30	81	26	388	√

Material

Polyamide-based (PA) technopolymer. Resistant to organic and inorganic chemical substances such as oils, greases, fuels and solvents.

Colour

Black with satin finish.

Insert

Zinc-passivated steel with standard blind hole with tolerance H7.

Package

1 - 5 - 10 pcs.