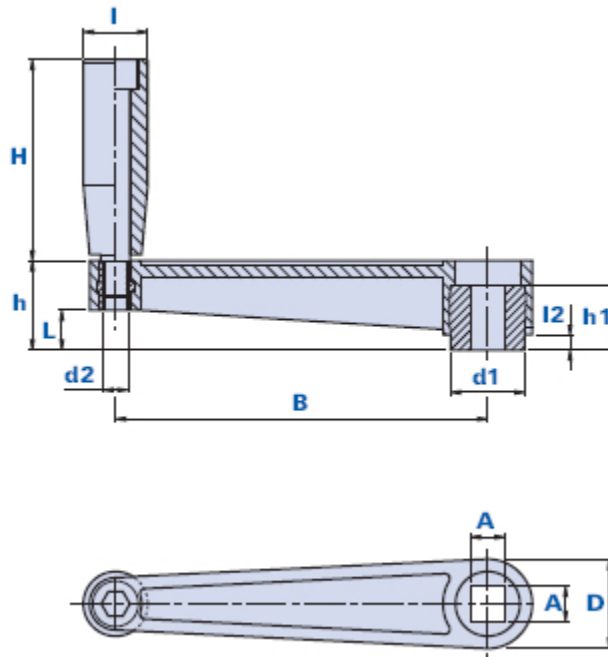


1077BFQ



Crank handle with fixed revolving handgrip



Code	Description	Dimensions						Insert			Handgrip		Weight grams	Stock
		D	L	B	d2	l2	h	AxA	d1	h1	H	l		
1077BFQ15000	1077BFQ / 150	36	16	150	M10	5	36	14	30	26	81	26	380	√

Material

Polyamide-based (PA) technopolymer. Resistant to organic and inorganic chemical substances such as oils, greases, fuels and solvents.

Colour

Black with satin finish.

Insert

Brass with pass-through hole.

Package

1 - 5 - 10 pcs.