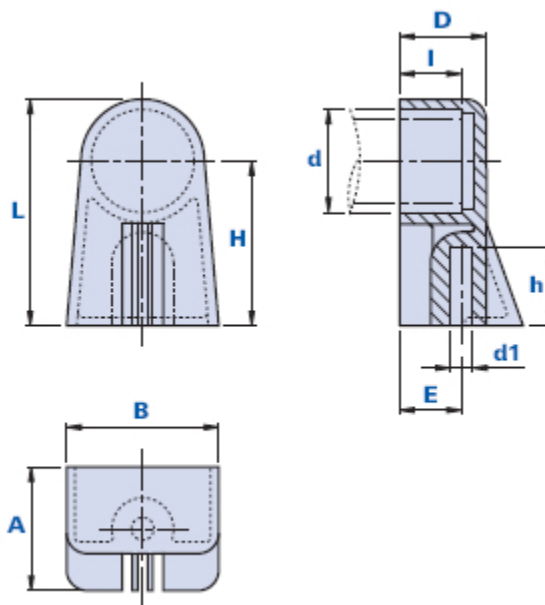


1079AF



Support



Code	Description	Dimensions							Hole		Weight grams	Stock	
		A	B	D	L	E	H	d	I	d1			h
1079AF003500	1079/AF D.20 d1 4,5	30	37	21	55	15	40	20	15	4,5	19	18,9	-
1079AF004500	1079/AF D.20 d1 5,5	30	37	21	55	15	40	20	15	5,5	19	18,8	-
1079AF005500	1079/AF D.25 d1 5,5	30	37	21	55	15	40	25	15	5,5	19	18,2	√

Material

Polyamide-based (PA) technopolymer. Resistant to organic and inorganic chemical substances such as oils, greases, fuels and solvents.

Colour

Black with satin finish.
Other colours for suitable quantities.

Assembly

With self-threading screws.

Package

100 - 200 - 500 pcs.

