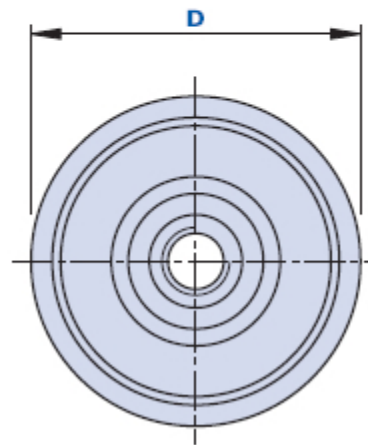
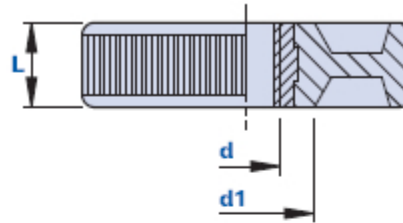


1105FP



Knurled grip knob with pass-through threaded bush



Code	Description	Dimensions			Insert	Weight grams	Stock
		D	L	d1	d		
110500040600	1105FP M6	39	10	16	M6	10	-
110500040800	1105FP M8	39	10	16	M8	10,3	-
110500401000	1105FP M10	39	10	16	M10	10,8	-
110500401200	1105FP M12	39	10	16	M12	11,5	-

Material

Polyamide-based (PA) technopolymer. Resistant to organic and inorganic chemical substances such as oils, greases, fuels and solvents.

Colour

Black with satin finish.
Other colours for suitable quantities.

Insert

Brass.

Package

25 - 100 - 200 pcs.

