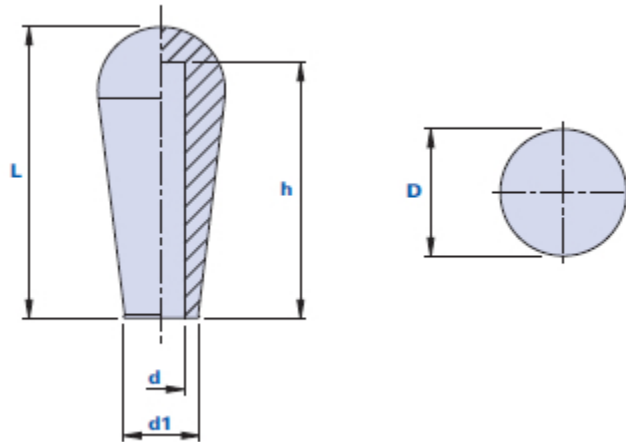


## Spherical head knob



Code	Description	Dimensions			Hole		Weight grams	Stock
		L	D	d1	d	h		
111100000600	1111 D.6	57	25	15	6	50	20	√
111100000800	1111 D.8	57	25	15	8	50	19	√
111100000910	1111 D.9	57	25	15	9	50	18	√
111100001000	1111 D.10	57	25	15	10	50	17	√
111100001200	1111 D.12	57	25	15	12	50	16	√

### Material

Polyvinylchloride-based (PVC) technopolymer. Resistant to organic and inorganic chemical substances such as oils, greases, fuels and solvents.

### Colour

Black with satin finish. Other colours for suitable quantities.

### Assembly

Press-fit.

### Package

500 pcs.