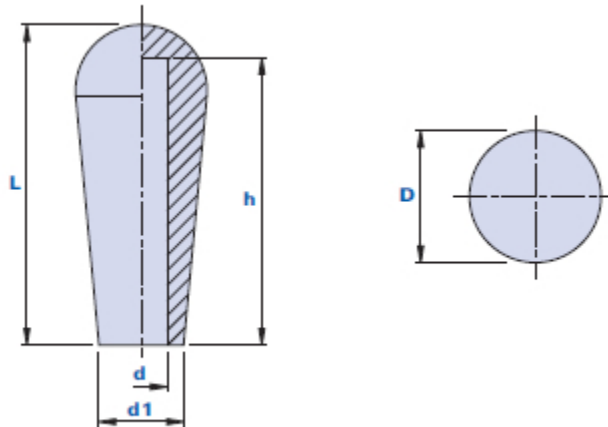


Spherical head knob



Code	Description	Dimensions			Hole		Weight grams	Stock
		L	D	d1	d	h		
11120000800	1112 D.8	68	28	18	8	61	33,2	√
11120000900	1112 D.9	68	28	18	9	61	33	-
11120001000	1112 D.10	68	28	18	10	61	32	√
11120001210	1112 D.11	68	28	18	11	61	31	-
11120001200	1112 D.12	68	28	18	12	61	30	√
11120001400	1112 D.14	68	28	18	14	61	26	√
11120001600	1112 D.16	68	28	18	16	61	24,1	√

Material

Polyvinylchloride-based (PVC) technopolymer. Resistant to organic and inorganic chemical substances such as oils, greases, fuels and solvents.

Colour

Black with satin finish. Other colours for suitable quantities.

Assembly

Press-fit.

Package

250 pcs.