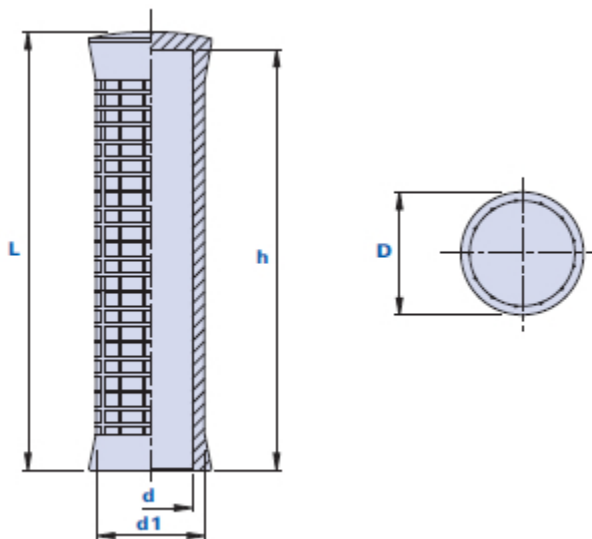


## Grip handle in PVC



Code	Description	Dimensions			Hole		Weight grams	Stock
		L	D	d1	d	h		
11140002000	1114 D.20	125	35	31	20	120	78	√
111400212200	1114 D.21-22	125	35	31	21-22	120	72	√
111400242500	1114 D.24-25	125	35	31	24-25	120	58	√
111400252700	1114 D.25-27	125	35	31	25-27	120	52	√
111400272800	1114 D.27-28	125	35	31	27-28	120	43	√

### Material

Polyvinylchloride-based (PVC) technopolymer. Resistant to organic and inorganic chemical substances such as oils, greases, fuels and solvents.

### Colour

Black with satin finish. Other colours for suitable quantities.

### Assembly

Press-fit.

### Package

100 pcs.