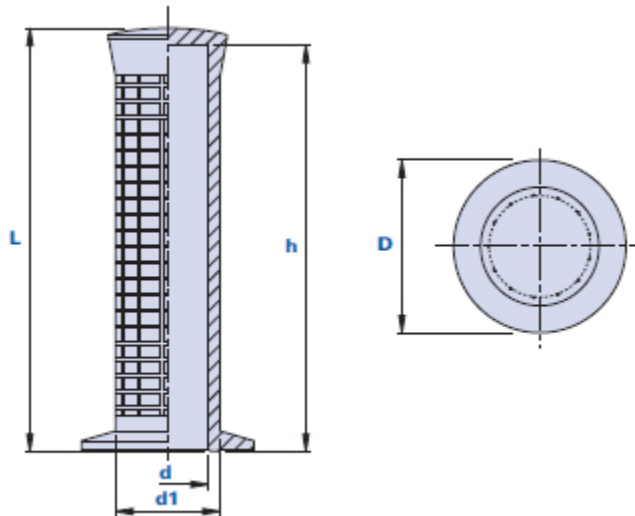


1114BP

VAL-PA

Grip handle in PVC with hand-guard



Code	Description	Dimensions			Hole		Weight grams	Stock
		L	D	d1	d	h		
1114BP200000	1114BP D.20	125	51	31	20	120	89	√
1114BP212200	1114BP D.21-22	125	51	31	21-22	120	76	√
1114BP242500	1114BP D.24-25	125	51	31	24-25	120	64	√
1114BP252700	1114BP D.25-27	125	51	31	25-27	120	58	√
1114BP272800	1114BP D.27-28	125	51	31	27-28	120	48	√

Material

Polyvinylchloride-based (PVC) technopolymer. Resistant to organic and inorganic chemical substances such as oils, greases, fuels and solvents.

Colour

Black with satin finish. Other colours for suitable quantities.

Assembly

Press-fit.

Package

100 pcs.