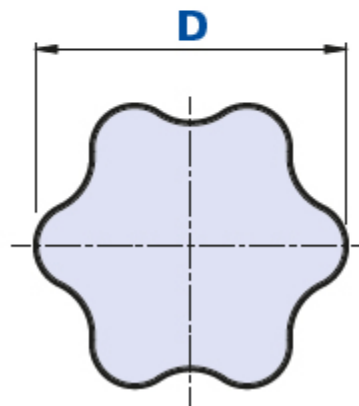
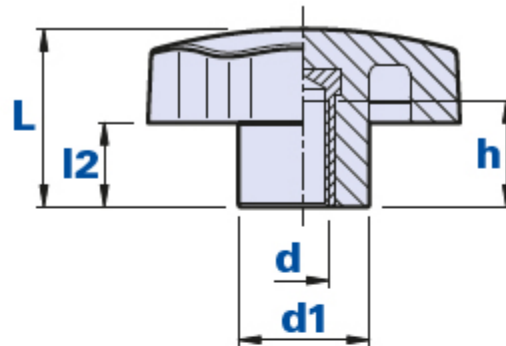


# 1115F

## 6-lobe knob with blind threaded bush



Code	Description	Dimensions				Insert		Weight grams	Stock
		D	L	d1	l2	d	h		
1115F3000500	1115/F D.30 M5	30	19,5	14	8	M5	9	7,94	-
1115F3000600	1115/F D.30 M6	30	19,5	14	8	M6	9	8,30	-
1115F3000800	1115/F D.30 M8	30	19,5	14	8	M8	12	10,0	-
1115F4000600	1115/F D.40 M6	40	25	18	12	M6	14	19	-
1115F4000800	1115/F D.40 M8	40	25	18	12	M8	17	20	-
1115F4001000	1115/F D.40 M10	40	25	18	12	M10	17	23	-
1115F5000600	1115/F D.50 M6	50	28,5	21	13	M6	9	37	-
1115F5000800	1115/F D.50 M8	50	28,5	21	13	M8	17	40	-
1115F5001000	1115/F D.50 M10	50	28,5	21	13	M10	17	43	-
1115F5001200	1115/F D.50 M12	50	28,5	21	13	M12	17	43	-
1115F6000800	1115/F D.60 M8	60	37	24	19	M8	17	50	-
1115F6001000	1115/F D.60 M10	60	37	24	19	M10	17	52	-
1115F6001200	1115/F D.60 M12	60	37	24	19	M12	17	54	-
1115F7001000	1115/F D.70 M10	70	39,5	28	20	M10	24	85,7	-
1115F7001200	1115/F D.70 M12	70	39,5	28	20	M12	24	95,8	-
1115F7001400	1115/F D.70 M14	70	39,5	28	20	M14	24	105,6	-
1115F7001600	1115/F D.70 M16	70	39,5	28	20	M16	24	115	-

<b>1115F9001200</b>	1115/F D.90 M12	90	56	34	31	M12	24	114	-
<b>1115F9001400</b>	1115/F D.90 M14	90	56	34	31	M14	24	124	-
<b>1115F9001600</b>	1115/F D.90 M16	90	56	34	31	M16	24	134	-
<b>1115F9001800</b>	1115/F D.90 M18	90	56	34	31	M18	24	144	-

#### Material

Polyamide-based (PA) technopolymer. Resistant to organic and inorganic chemical substances such as oils, greases, fuels and solvents.

#### Colour

Black. Other colours for suitable quantities.

#### Bush

Brass. Special inserts on design, on request for suitable quantities.

#### Package

1115F 30/40: 25 - 100 - 200 pcs.

1115F 50/60/70: 10 - 50 - 100 pcs.

1115F 90: 1 - 10 - 50 pcs.