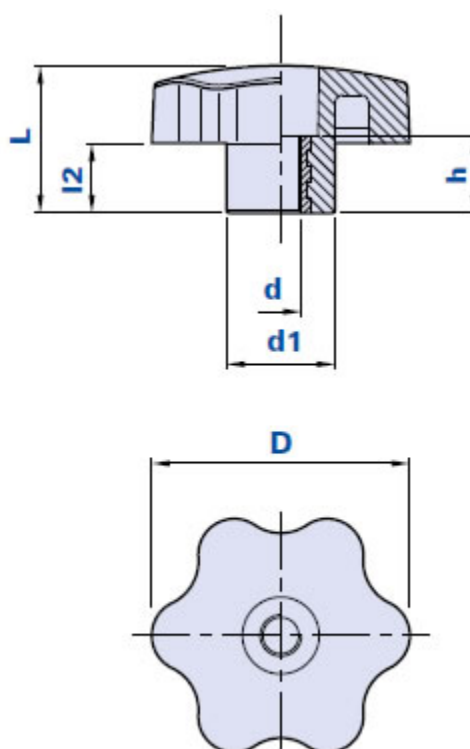


# 1115FP



## 6-lobe knob with pass-through threaded bush



Code	Description	Dimensions				Insert		Weight grams	Stock
		D	L	d1	l2	d	h		
1115FP300500	1115/FP D.30 M5	30	19,5	14	8,5	M5	10	10	-
1115FP300600	1115/FP D.30 M6	30	19,5	14	8,5	M6	10	10	-
1115FP300800	1115/FP D.30 M8	30	19,5	14	8,5	M8	10	10	-
1115FP400600	1115/FP D.40 M6	40	25	18	12	M6	15	19	-
1115FP400800	1115/FP D.40 M8	40	25	18	12	M8	15	20	-
1115FP401000	1115/FP D.40 M10	40	25	18	12	M10	15	23	-
1115FP500600	1115/FP D.50 M6	50	28,5	21	13,5	M6	15	38	-
1115FP500800	1115/FP D.50 M8	50	28,5	21	13,5	M8	15	38	-
1115FP501000	1115/FP D.50 M10	50	28,5	21	13,5	M10	15	38	-
1115FP501200	1115/FP D.50 M12	50	28,5	21	13,5	M12	15	38	-
1115FP600800	1115/FP D.60 M8	60	37	24	19	M8	20	50	-
1115FP601000	1115/FP D.60 M10	60	37	24	19	M10	20	52	-
1115FP601200	1115/FP D.60 M12	60	37	24	19	M12	20	54	-
1115FP701000	1115/FP D.70 M10	70	39,5	28	20,5	M10	20	94	-
1115FP701200	1115/FP D.70 M12	70	39,5	28	20,5	M12	20	94	-
1115FP701400	1115/FP D.70 M14	70	39,5	28	20,5	M14	20	94	-
1115FP701600	1115/FP D.70 M16	70	39,5	28	20,5	M16	20	94	-
1115FP901200	1115/FP D.90 M12	90	54	34	30	M12	20	166	-
1115FP901400	1115/FP D.90 M14	90	54	34	30	M14	20	166	-
1115FP901600	1115/FP D.90 M16	90	54	34	30	M16	20	166	-

**Material**

Polyamide-based (PA) technopolymer. Resistant to organic and inorganic chemical substances such as oils, greases, fuels and solvents.

**Colour**

Black. Other colours for suitable quantities.

**Bush**

Brass. Special inserts on design, on request for suitable quantities.

**Package**

1115FP 30/40: 25 - 100 - 200 pcs.

1115FP 50/60/70: 10 - 50 - 100 pcs.

1115FP 90: 1 - 10 - 50 pcs.