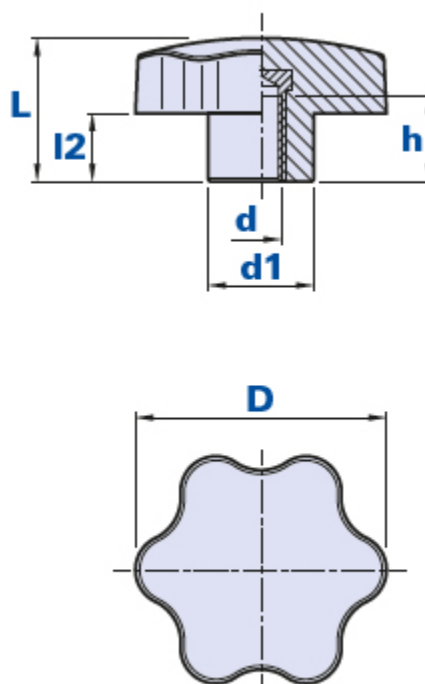


# 1116F

## 6-lobe knob with blind threaded bush



Code	Description	Dimensions				Insert		Weight grams	Stock
		D	L	d1	l2	d	h		
1116F3000500	1116/F D.30 M5	30	19	14	8	M5	9	8,73	-
1116F3000600	1116/F D.30 M6	30	19	14	8	M6	9	9,13	-
1116F3000800	1116/F D.30 M8	30	19	14	8	M8	12	11	-
1116F4000600	1116/F D.40 M6	40	25	18	12	M6	14	21	-
1116F4000800	1116/F D.40 M8	40	25	18	12	M8	17	22	-
1116F4001000	1116/F D.40 M10	40	25	18	12	M10	17	25	-
1116F5000600	1116/F D.50 M6	50	28	21	13	M6	9	41	-
1116F5000800	1116/F D.50 M8	50	28	21	13	M8	17	44	-
1116F5001000	1116/F D.50 M10	50	28	21	13	M10	17	47	-
1116F5001200	1116/F D.50 M12	50	28	21	13	M12	17	47	-
1116F6000800	1116/F D.60 M8	60	37	24	19	M8	17	55	-
1116F6001000	1116/F D.60 M10	60	37	24	19	M10	17	57	-
1116F6001200	1116/F D.60 M12	60	37	24	19	M12	17	59,5	-
1116F7001000	1116/F D.70 M10	70	41	24	20	M10	24	94	-
1116F7001200	1116/F D.70 M12	70	41	24	20	M12	24	105	-
1116F7001400	1116/F D.70 M14	70	41	24	20	M14	24	116	-
1116F7001600	1116/F D.70 M16	70	41	24	20	M16	24	127	-
1116F9001200	1116/F D.90 M12	90	56	34	31	M12	24	126	-
1116F9001400	1116/F D.90 M14	90	56	34	31	M14	24	137	-
1116F9001600	1116/F D.90 M16	90	56	34	31	M16	24	148	-

**Material**

Polyamide-based (PA) technopolymer. Resistant to organic and inorganic chemical substances such as oils, greases, fuels and solvents.

**Colour**

Black. Other colours for suitable quantities.

**Bush**

Brass. Special inserts on design, on request for suitable quantities.

**Package**

1116F 30/40: 25 - 100 - 200 pcs.

1116F 50/60/70: 10 - 50 - 100 pcs.

1116F 90: 1 - 10 - 50 pcs.