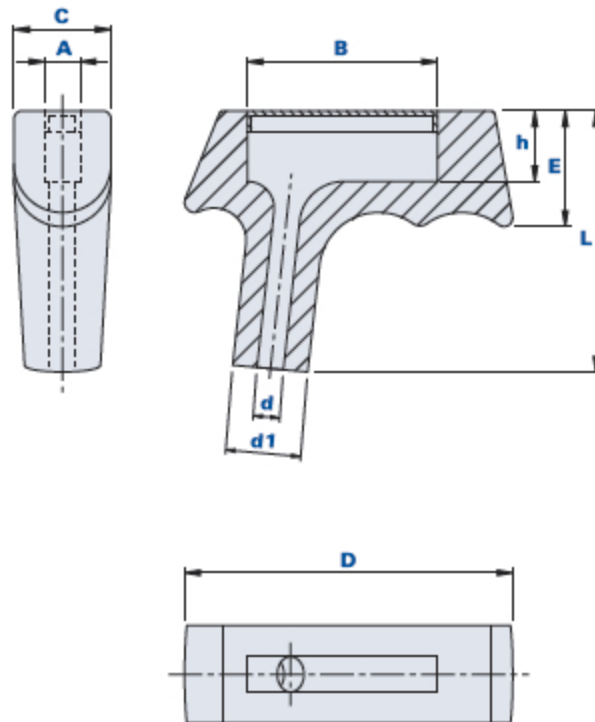


# 1213T

**VAL-PA**

## Starter grip with cap



PA

+100  
-30

PVC

+70  
-0

RoHS

Code	Description	Dimensions							Hole		Weight grams	Stock
		L	A	B	C	D	E	d1	d	h		
1213T0000600	1213T D.6 Black Cap	59	8	43	22	74	26	17	6	16	46,2	√
1213T0000700	1213T D.6 Red Cap	59	8	43	22	74	26	17	6	16	46.2	√

### Grip material

Polyvinylchloride-based (PVC) technopolymer. Resistant to organic and inorganic chemical substances such as oils, greases, fuels and solvents.

### Grip colour

Black with satin finish. Other colours for suitable quantities.

### Cap material

Polyamide-based (PA) technopolymer. Resistant to organic and inorganic chemical substances such as oils, greases, fuels and solvents.

### Cap colour

Black RAL 7021, red RAL 3020

### Package

200 pcs.