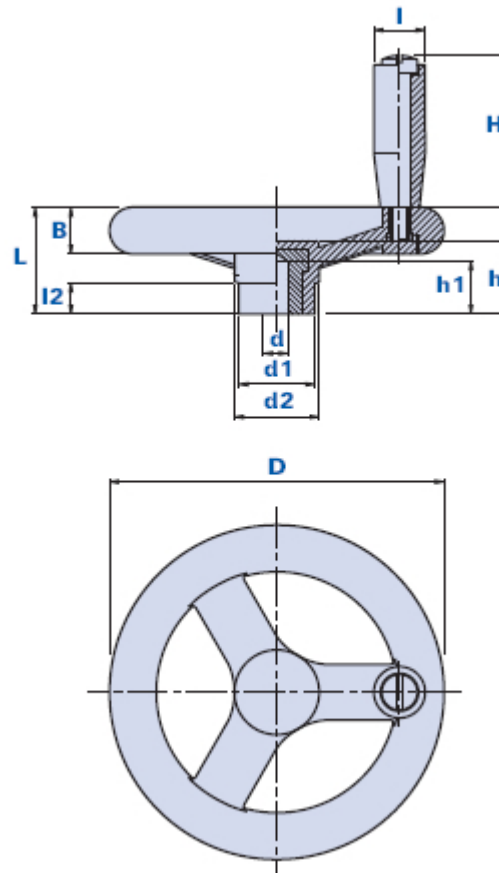


1220M



Spoked handwheel with fixed revolving handgrip



Code	Description	Dimensions						Insert			Handgrip		Weight grams	Stock
		D	L	B	d2	I2	h	dH7	h1	d1	H	I		
1220M0015000	1220M - 150	150	48	21	38	14	34	10	24	34	68	23	378	-
1220M0020000	1220M - 200	200	62	26	45	14	47	10	30	40	88	28	754	-

Material

Polyamide-based (PA) technopolymer.

Resistant to organic and inorganic chemical substances such as oils, greases, fuels and solvents.

Colour

Black with shiny finish.

Insert

Zinc-passivated steel with standard blind hole with tolerance H7.

Special inserts on design and/or in brass/stainless steel, on request for suitable quantities.

Remarks

On request, for small/medium quantities, we execute threaded holes for fixing the handwheel on the shaft or keyways.

Package

1 - 5 - 10 pcs.



Thenar Srl - Via della Costituzione, 66 - 42015 Correggio (RE) Italy

Tel. +39 0522 740511 - Fax +39 0522 740555 - info@thenar.it - www.thenar.it

THENAR models are reserved property under the law - Non-reproducible drawings unless the source is cited.