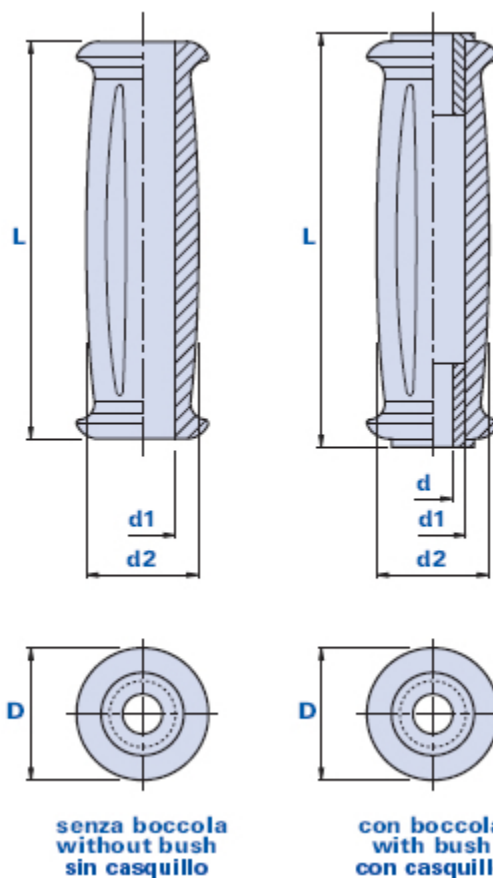


# 1270FP



## Revolving handgrip with pass-through hole



Code	Description	Dimensions			Hole		Weight grams	Stock
		D	L	d2	d1	d		
1270FP002000	1270FP d.20 WITHOUT BUSH	39	120	34	20	-	51	√
1270FP002200	1270FP d.22 WITHOUT BUSH	39	120	34	22	-	49	-
1270FP000600	1270FP d.6 WITH BUSH	39	125	34	20	6	53	-
1270FP000800	1270FP d.8 WITH BUSH	39	125	34	20	8	54	-
1270FP001000	1270FP d.10 WITH BUSH	39	125	34	20	10	55	√
1270FP001200	1270FP d.12 WITH BUSH	39	125	34	20	12	56	-

### Material

Polyamide-based (PA) technopolymer. Resistant to organic and inorganic chemical substances such as oils, greases, fuels and solvents.

### Colour

Black with satin finish.

### Package

25 - 50 - 100 pcs.



Thenar Srl - Via della Costituzione, 66 - 42015 Correggio (RE) Italy

Tel. +39 0522 740511 - Fax +39 0522 740555 - info@thenar.it - www.thenar.it

THENAR models are reserved property under the law - Non-reproducible drawings unless the source is cited.