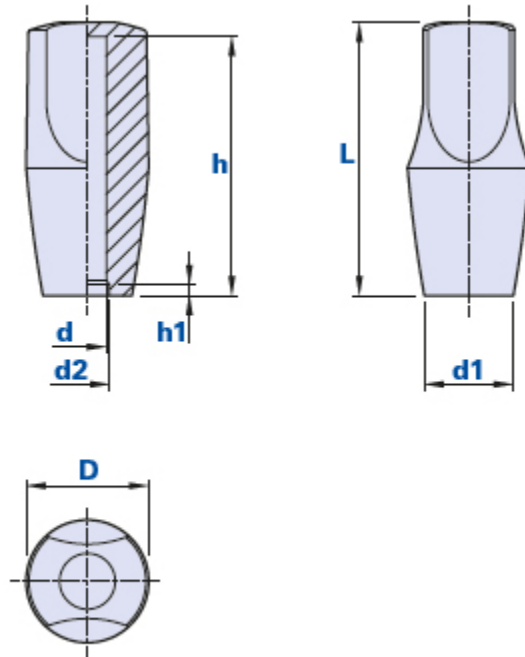


Flat head knob



Code	Description	Dimensions					Hole		Weight grams	Stock
		L	D	d1	d2	h1	d	h		
18190500700	1819 D.7	50	22	16	8	2	7	46,5	15	-
18190500800	1819 D.8	50	22	16	9	2	8	46,5	14	-

Material

Polyvinylchloride-based (PVC) technopolymer. Resistant to organic and inorganic chemical substances such as oils, greases, fuels and solvents.

Colour

Black with satin finish. Other colours for suitable quantities.

Assembly

Press-fit.

Package

100 pcs.