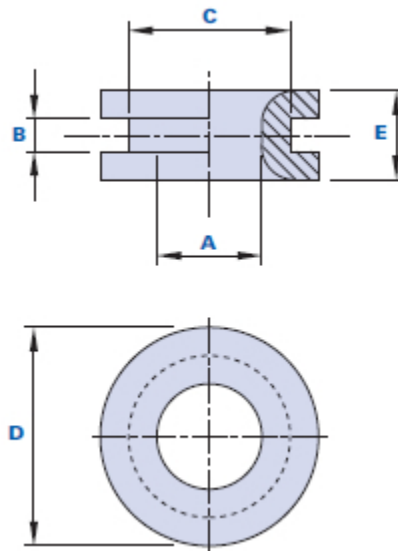


## Through-hole cables holder



Code	Description	Dimensions					Weight grams	Stock
		A	B	C	D	E		
200100001500	2001 D.27 A=15	15	4	20	27	11	3,5	√

### Material

Polyvinylchloride-based (PVC) technopolymer. Resistant to organic and inorganic chemical substances such as oils, greases, fuels and solvents.

### Colour

Black. Other colours for suitable quantities.

### Package

100 - 200 - 500 pcs.