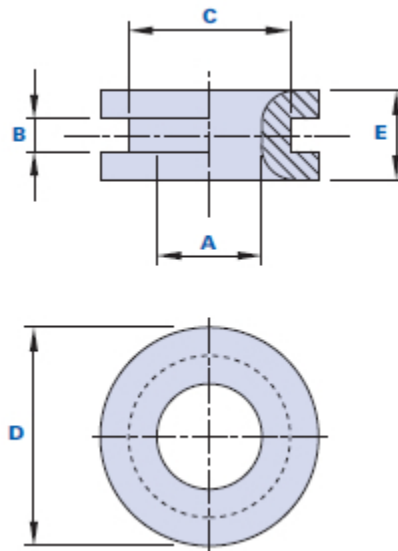


Through-hole cables holder



Code	Description	Dimensions					Weight grams	Stock
		A	B	C	D	E		
200300001400	2003 D.27 A=14	14	6	21	27	13	3,5	√

Material

Polyvinylchloride-based (PVC) technopolymer. Resistant to organic and inorganic chemical substances such as oils, greases, fuels and solvents.

Colour

Black. Other colours for suitable quantities.

Package

100 - 200 - 500 pcs.