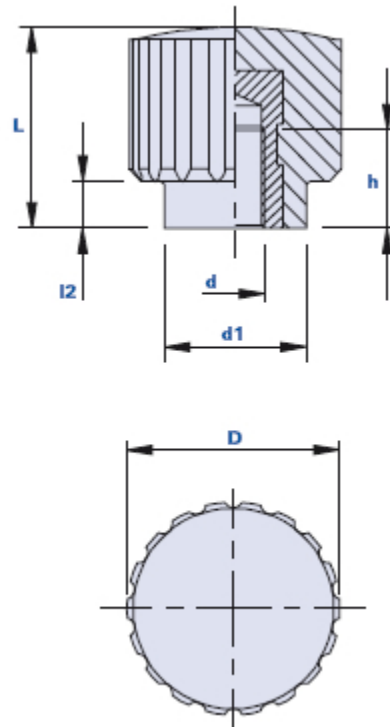
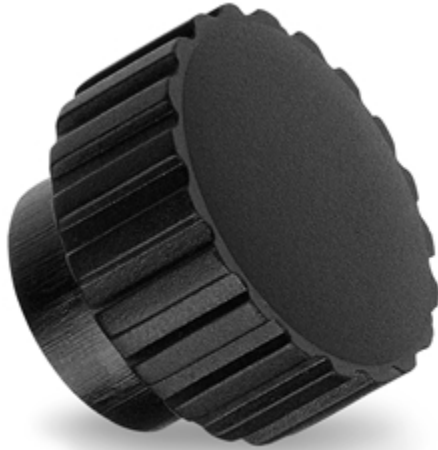


## Fluted grip knob with blind threaded bush



Code	Description	Dimensions				Insert		Weight grams	Stock
		D	L	d1	l2	d	h		
01200E1Z	200E1/15 M3	15	12	11	1,5	M3	7	3	-
01200E1A	200E1/15 M4	15	12	11	1,5	M4	7	3	√
01200E2B	200E2/15 M5	15	12	11	1,5	M5	7	3	√
01200E3C	200E3/15 M6	15	12	11	1,5	M6	7	3	√
01200E4B	200E4/18 M5	18	17	12	4	M5	9	5	√
01200E5C	200E5/18 M6	18	17	12	4	M6	9	6	√
01200E6C	200E6/24 M6	24	17	16	5,5	M6	9	10	√
01200E7D	200E7/24 M8	24	17	16	5,5	M8	9	10	-

### Material

High resistance phenolyc-based (PF) duroplast. Resistant to organic and inorganic chemical substances such as oils, greases, fuels and solvents.

### Colour

Black with shiny finish.

### Insert

Brass.

### Package

25 - 50 - 100 pcs.