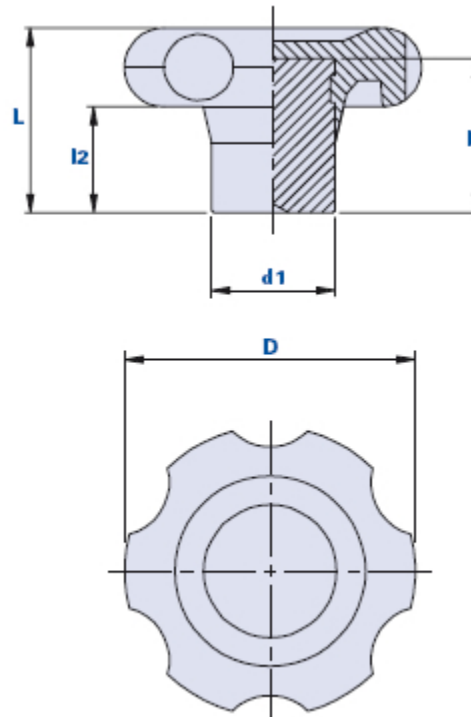


200F



6-lobe knob with full hub



Code	Description	Dimensions			Insert			Weight grams	Stock
		D	L	l2	d1	d2	l		
01200F1	200F1/51	51	32,5	21	22	15	19	68	√
01200F2	200F2/70	70	35	17	28	19	27,5	160	√
01200F3	200F3/90	90	45	22,5	35	26	32	331	√

Material

High resistance phenolc-based (PF) duroplast. Resistant to organic and inorganic chemical substances such as oils, greases, fuels and solvents.

Colour

Black with shiny finish.

Insert

Galvanized steel.

Package

1 - 10 - 20 pcs.