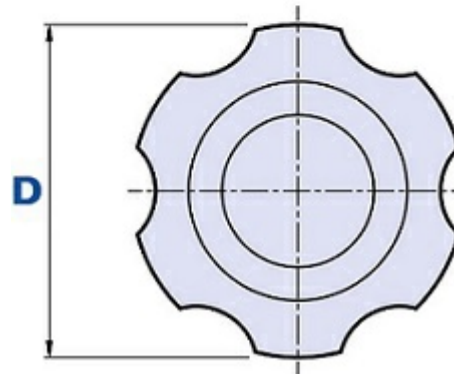
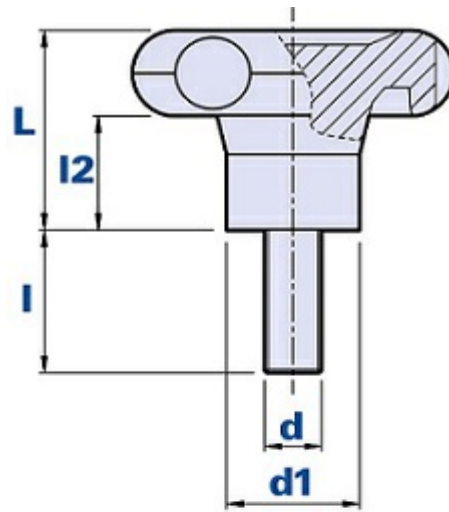


# 200G



## 6-lobe knob with threaded pin



Code	Description	Dimensions				Insert		Weight grams	Stock
		D	L	d1	l2	d	l		
01200G1D30	200G1 / 52 M8x30	52	33	22	20	M8	30	52	-
01200G2E40	200G2 / 52 M10x40	52	33	22	20	M10	40	71	√
01200G3E40	200G3 / 70 M10x40	70	42	28	24	M10	40	121	-
01200G4F45	200G4 / 70 M12x45	70	42	28	24	M12	45	146	-
01200G5N50	200G5 / 70 M14x50	70	42	28	24	M14	50	165	√
01200G6P20	200G6 / 90 M16x20	90	50	35	28	M16	20	230	-
01200G7O30	200G7 / 90 M18x30	90	50	35	28	M18	30	250	-

### Material

High resistance phenolyc-based (PF) duroplast. Resistant to organic and inorganic chemical substances such as oils, greases, fuels and solvents.

### Colour

Black with shiny finish.

### Insert



Thenar Srl - Via della Costituzione, 66 - 42015 Correggio (RE) Italy

Tel. +39 0522 740511 - Fax +39 0522 740555 - info@thenar.it - www.thenar.it

THENAR models are reserved property under the law - Non-reproducible drawings unless the source is cited.

Galvanized steel.

**Package**

1 - 10 - 50 pcs.