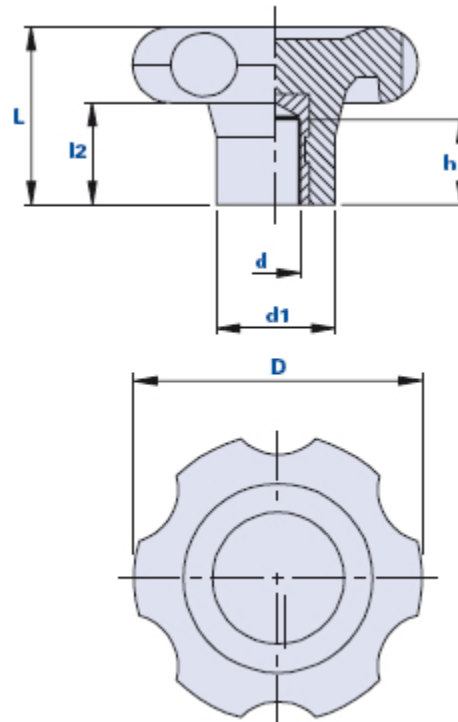


200H



6-lobe knob with blind threaded bush



Code	Description	Dimensions				Insert		Weight grams	Stock
		D	L	d1	l2	d	h		
01200H1D	200H1 / 52 M8	52	33	22	20	M8	20	36	√
01200H2E	200H2 / 52 M10	52	33	22	20	M10	20	38	-
01200H2F	200H2 / 52 M12	52	33	22	20	M12	20	40	√
01200H3E	200H3 / 70 M10	70	42	28	24	M10	20	94	√
01200H4F	200H4 / 70 M12	70	42	28	24	M12	20	97	√
01200H5N	200H5 / 70 M14	70	42	28	24	M14	20	100	√
01200H6P	200H6 / 90 M16	90	50	35	28	M16	18	190	√
01200H7O	200H7 / 90 M18	90	50	35	28	M18	18	196	√

Material

High resistance phenolyc-based (PF) duroplast. Resistant to organic and inorganic chemical substances such as oils, greases, fuels and solvents.

Colour

Black with shiny finish.

Insert

Brass.

Package

1 - 10 - 50 pcs.



Thenar Srl - Via della Costituzione, 66 - 42015 Correggio (RE) Italy

Tel. +39 0522 740511 - Fax +39 0522 740555 - info@thenar.it - www.thenar.it

THENAR models are reserved property under the law - Non-reproducible drawings unless the source is cited.